



MALAYSIA 马来西亚

Kuala Lumpur Kota Kinabalu Miri
Klang Keningau Lahad Datu
Johor Bahru Bintulu Tawau



CHINA 中国

Tongxiang
Guangzhou
Beijing



SINGAPORE 新加坡



www.triumphal.biz

Undercarriage

Track Shoes

Floating Seal

TABEL OF CONTENTS

Undercarriage

Undercarriage



Track Shoe



Floating Seal



Disclaimer

1. Please note that all manufacturer's names, numbers, symbols and descriptions are used for reference purposes only and do not imply that any part listed is the product of these manufacturers. This guide is intended as a general quick reference source only.
2. Whilst every effort has been made to ensure that the information contained in this catalogue is accurate at the time of publication, Triumphal Group recommends that you consult Triumphal Group prior to placing an order to ascertain current information on specific products, as Triumphal Group reserves the rights to make changes without prior notice, Triumphal Group will not be liable for any injury, loss or damage whatsoever, arising from any errors or omissions in the information contained in the catalogue or arising from the use or application of the information contained herein. This catalogue does not constitute an offer for the sale of any particular product.



Disclaimer

1. Please note that all manufacturer's names, numbers, symbols and descriptions are used for reference purposes only and do not imply that any part listed is the product of these manufacturers. This guide is intended as a general quick reference source only.
2. Whilst every effort has been made to ensure that the information contained in this catalogue is accurate at the time of publication, Triumphal Group recommends that you consult Triumphal Group prior to placing an order to ascertain current information on specific products, as Triumphal Group reserves the rights to make changes without prior notice, Triumphal Group will not be liable for any injury, loss or damage whatsoever, arising from any errors or omissions in the information contained in the catalogue or arising from the use or application of the information contained herein. This catalogue does not constitute an offer for the sale of any particular product.

Welding Technology



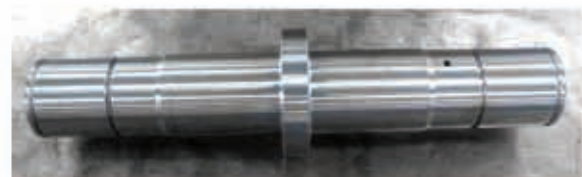
- Robotic Welding Arm
 - High precision, in depth welding penetration, bonding metal core.
 - Increased welding strength, double roller life.

Through Hardening Heat Treatment



- Provide uniform hardness across the roller shell.
- Surface hardness at 50-52HRC with the hardness depth at 8mm.
- Inner surface hardness at 35-38HRC.

Refined Components Machining



- Using computerize Vertical Lathe Machine and Machining Centres for machines process to ensure precision.
- Induction heat treatment with surface hardness of 48-52 HRC, improving wear resistance.
- Hardness depth at 5mm.



Disclaimer

1. Please note that all manufacturer's names, numbers, symbols and descriptions are used for reference purposes only and do not imply that any part listed is the product of these manufacturers. This guide is intended as a general quick reference source only.
 2. Whilst every effort has been made to ensure that the information contained in this catalogue is accurate at the time of publication, Triumphal Group recommends that you consult Triumphal Group prior to placing an order to ascertain current information on specific products, as Triumphal Group reserves the rights to make changes without prior notice. Triumphal Group will not be liable for any injury, loss or damage whatsoever, arising from any errors or omissions in the information contained in the catalogue or arising from the use or application of the information contained herein. This catalogue does not constitute an offer for the sale of any particular product.

Undercarriage Parts By Models

Undercarriage Part Number Cross Reference.

Bulldozer

| Model | Top Roller | Bottom Roller | | Idler | Sprocket | | Track Shoe | | Track Link |
|-------------|--------------|---------------|--------------|--------------|--------------|--------------|--------------|-----|-------------|
| | | S/F Roller | D/F Roller | | Rim | Segment | Pitch | | |
| D6D | 9S 2730 | 118-1617 | 118-1618 | 5M 5009 | | 7P 2706 | 7S 9558 | 203 | CR3309/-- |
| D6H | 6Y 1781 | 7T 4102 | 7T 4107 | 6T 3216 | | 7G 7212 | 6Y 6286 | 203 | CR 5534B/-- |
| Can use | | 120-5746 | 120-5766 | 151-4587 | | CR 5515 | 6Y 6287 | 203 | CR 5534B/-- |
| CAT527 | | 231-3093 | 243-5325 | 151-4587 | | 173-0945 | 6Y 6286 | 203 | CR 5534B/-- |
| D7G | 1P 8717 | 118-1623 | 118-1625 | 1S 8186 | | 5S 0052 | 1P 9809 | 216 | CR 3116/-- |
| D8K | 8M 0380 | 6P 4897 | 6P 4898 | CR 2743 | | 2P 9510 | 7S 9094 | 228 | CR 2701/-- |
| D60-6/-7/-8 | 141-30-00565 | 141-30-00575 | 141-30-00585 | 144-30-00038 | 141-98-00141 | 141-27-32280 | 144-32-11340 | 203 | KM 951/-- |
| D65-6/-7/-8 | 141-30-00565 | 141-30-00575 | 141-30-00585 | 144-30-00038 | 141-98-00141 | 141-27-32280 | 144-32-11340 | 203 | KM 951/-- |
| D65-12 | 14X-30-00141 | 14X-30-00081 | 14X-30-00091 | 14X-30-00110 | | 14X-27-15111 | 14X-32-11110 | 203 | KM 2094/-- |
| D70LE | 141-30-00565 | 141-30-00575 | 141-30-00585 | 144-30-00038 | 141-98-00141 | 141-27-32280 | 144-32-11340 | 203 | KM 951/-- |
| D85E-SS-2 | 14X-30-00141 | 14X-30-00081 | 14X-30-00091 | 14X-30-00110 | | 14X-27-15111 | 14X-32-11110 | 203 | KM 2094/-- |
| D155-1 | 175-30-00513 | 175-30-00486 | 175-30-00496 | 175-30-00456 | | 17A-27-11630 | 170-32-11115 | 228 | KM 425/-- |
| D355A-1 | 195-30-00106 | 195-30-00119 | 195-30-00129 | 195-30-00055 | | 195-27-12467 | 195-32-11440 | 260 | KM 596/-- |
| D355A-3 | 195-30-00106 | 195-30-00336 | 195-30-00346 | 195-30-00283 | | 195-27-12467 | 195-32-11452 | 260 | KM 426/-- |
| D355A-5 | 195-30-00106 | 195-30-00336 | 195-30-00346 | 195-30-00283 | | 195-27-12467 | 195-32-11452 | 260 | KM 426/-- |
| D375A-1 | 195-30-00580 | 195-30-00562 | 195-30-00572 | 195-30-00551 | | 195-27-31631 | 195-32-41112 | 260 | KM 2544/-- |
| D375A-2 | 195-30-01040 | 195-30-01011 | 195-30-01021 | 195-30-01030 | | 195-27-33110 | 195-32-61110 | 260 | KM 1274/-- |
| D375A-3 | 195-30-01040 | 195-30-01011 | 195-30-01021 | 195-30-01130 | | 195-27-33110 | 195-32-61110 | 260 | KM 1274/-- |
| D375A-5 | 195-30-01040 | 195-30-01410 | 195-30-01421 | 195-30-01130 | | 195-27-33110 | 195-32-61110 | 260 | KM 3599/-- |

Paver

| Model | Roller | Sprocket Rim | Track Shoe | | Track Link |
|------------|--------|--------------|------------|-----|------------|
| | | | Pitch | | |
| 8820 TITAN | VA320 | | CR 3656/-- | 155 | CR3657/-- |

Disclaimer

1. Please note that all manufacturer's names, numbers, symbols and descriptions are used for reference purposes only and do not imply that any part listed is the product of these manufacturers. This guide is intended as a general quick reference source only.
 2. Whilst every effort has been made to ensure that the information contained in this catalogue is accurate at the time of publication, Triumphal Group recommends that you consult Triumphal Group prior to placing an order to ascertain current information on specific products, as Triumphal Group reserves the rights to make changes without prior notice. Triumphal Group will not be liable for any injury, loss or damage whatsoever, arising from any errors or omissions in the information contained in the catalogue or arising from the use or application of the information contained herein. This catalogue does not constitute an offer for the sale of any particular product.

Undercarriage Parts By Models

Excavator

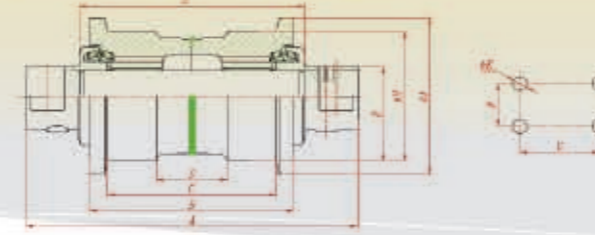
| Model | Carrier Roller | Track Roller | Idler | Sprocket Rim | Track Shoe | | Track Link |
|---------|----------------|--------------|--------------|--------------|--------------|-------|------------|
| | | | | | | Pitch | |
| PC200-5 | 20Y-30-00022 | 20Y-30-00012 | 20Y-30-00030 | 20Y-27-11581 | 20Y-32-11111 | 190 | KM 782/-- |
| PC200-6 | 20Y-30-00022 | 20Y-30-00012 | 20Y-30-00030 | 20Y-27-11581 | 20Y-32-11111 | 190 | KM 782/-- |
| PC300-5 | 208-30-00320 | 207-30-00150 | 207-30-00160 | 207-27-33222 | 207-32-51110 | 203 | KM 1617/-- |
| PC300-6 | 208-30-00320 | 207-30-00150 | 207-30-00160 | 207-27-61210 | 207-32-61110 | 216 | KM 2233/-- |
| EX100 | FT 2744 | HT 49 | 9068144 | 1010325 | CR 4835/500 | 171.5 | CR 4854/-- |
| EX100M | 9062404 | 9066691 | 9071453 | 1007849 | HT 428/500 | 175 | 9071452 |
| EX120 | FT 2744 | HT 49 | 9068144 | 1010325 | CR 4835/500 | 171.5 | CR 4854/-- |
| EX200-1 | FT 2772 | PC 395 | 9066393 | 1010204 | HT 20/600 | 175 | HT 17/-- |
| EX200-2 | ID 861 | HT50 | 9089384 | 1010203 | KM 1080/600 | 190 | KM 1170/-- |
| EX200-3 | ID 861 | HT50 | 9089384 | 1018740 | KM 1080/600 | 190 | KM 1170/-- |
| ZX200-3 | ID 861 | HT 50 | 9242965 | 1008740 | KM 1080/600 | 190 | KM 1170/-- |
| EX200-5 | ID 861 | HT 50 | 9145269 | 1018740 | KM 1080/600 | 190 | KM 1170/-- |
| EX300 | FT 2784 | LJ 696 | 9115208 | 1010467 | 207-32-11162 | 203 | KM 959/-- |

Mini Excavator

| Model | Carrier Roller | Track Roller | Idler | Sprocket Rim | Track Shoe | | Track Link |
|--------|----------------|--------------|---------|--------------|------------|-------|------------|
| | | | | | | Pitch | |
| EX60 | 9062403 | 9066207 | 9125766 | 1010447 | | 154 | 9096710 |
| EX60-2 | 9108841 | 9096970 | 9097575 | 1012495 | | 154 | 9096710 |
| EX60-3 | 9108841 | 9096970 | 9097575 | 1012495 | | 154 | 9096710 |
| EX60-5 | 9153288 | 9153152 | 9154166 | 1024217 | | 154 | 9156478 |

Disclaimer

1. Please note that all manufacturer's names, numbers, symbols and descriptions are used for reference purposes only and do not imply that any part listed is the product of these manufacturers. This guide is intended as a general quick reference source only.
 2. Whilst every effort has been made to ensure that the information contained in this catalogue is accurate at the time of publication, Triumphal Group recommends that you consult Triumphal Group prior to placing an order to ascertain current information on specific products, as Triumphal Group reserves the rights to make changes without prior notice. Triumphal Group will not be liable for any injury, loss or damage whatsoever, arising from any errors or omissions in the information contained in the catalogue or arising from the use or application of the information contained herein. This catalogue does not constitute an offer for the sale of any particular product.

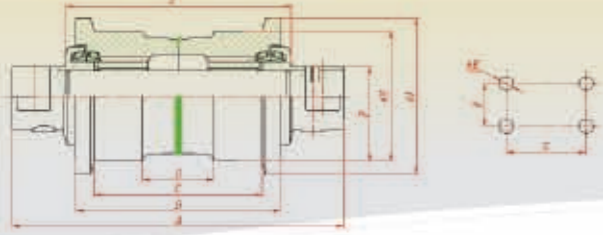


Excavator Bottom Roller Dimensions

| 序 No. | 产品编码 TPE No. | 柏可件号 BERCO No. | 原厂件号 OEM No. | 尺寸 Dimensions (mm) | | | | | | | | | | | 适用机型 Suitable for: | 重量 Weight (KG) |
|-------|--------------|----------------|--------------|--------------------|-------|-------|-------|-------|-------|-------|-------|-------|------|-------|--------------------|----------------|
| | | | | A | B | C | D | E | F | G | H | J | K | P | | |
| 1 | CT5572 | CJ 5572 | 117-5045 | 330.0 | 220.0 | 174.0 | 85.0 | 240.0 | 98.0 | 296.0 | 150.0 | 182.0 | 21.0 | 115 | 320 | 33.50 |
| 2 | CT5525 | CJ 5525 | 117-5046 | 390.0 | 240.0 | 198.0 | 84.0 | 265.0 | 106.0 | 339.0 | 165.0 | 198.0 | 22.0 | 119.5 | 325 | 44.80 |
| 3 | CT5897 | CJ 5897 B | 117-5047 | 410.0 | 256.0 | 204.0 | 102.0 | 285.0 | 115.0 | 370.0 | 175.0 | 211.0 | 26.0 | 129.5 | 330 | 52.00 |
| 4 | CE5112 | CR 5112 | 854973 | 400.0 | 242.0 | 204.0 | 104.0 | 279.0 | 120.0 | 350.0 | 180.0 | 212.0 | 20.0 | 115 | E300B | 53.50 |
| 5 | HT62 | - | 9074434 | 248.0 | 165.0 | 140.0 | 30.0 | 184.0 | 82.0 | 216.0 | 120.0 | 135.0 | 15.0 | 80 | EX60-2 | 14.70 |
| 6 | HT49 | HT49 | 9066508 | 284.0 | 180.0 | 145.0 | 70.0 | 213.0 | 89.0 | 250.0 | 140.0 | 170.0 | 17.0 | 100 | EX100 | 24.80 |
| 7 | HT395 | PC395 | 9066510 | 350.0 | 220.0 | 172.0 | 85.0 | 240.0 | 101.6 | 318.0 | 160.0 | 192.0 | 18.0 | 117 | EX200-1 | 39.00 |
| 8 | HT50 | HT50 | 9134243 | 330.0 | 220.0 | 172.0 | 85.0 | 240.0 | 101.6 | 290.0 | 150.0 | 182.0 | 19.0 | 115 | EX200-2/5 | 32.50 |
| 9 | HT3721 | HT3721 | 9168173 | 410.0 | 256.0 | 204.0 | 102.0 | 280.0 | 114.3 | 368.3 | 175.0 | 211.0 | 22.0 | 129.5 | EX300 | 52.00 |
| 10 | HT90 | LH90H | 9129347 | 445.0 | 270.0 | 208.0 | 82.0 | 314.0 | 125.0 | 400.0 | 200.0 | 240.0 | 23.5 | 150 | EX400 | 76.00 |
| 11 | HT1635 | LH 1635 | 4131660 | 584.0 | 345.0 | 274.0 | 102.0 | 400.0 | 160.0 | 500.0 | 270.0 | 320.0 | 27.0 | 205 | EX1000 | 195.00 |
| 12 | KT1690 | KM1690 | 201-30-00021 | 230.0 | 130.0 | 104.0 | 48.0 | 143.0 | 91.5 | 204.0 | 125.0 | 148.0 | 16.0 | 91.5 | PC80-5 | 15.30 |
| 13 | AD 380 | VA 380 C | 22E-30-11500 | 240.0 | 140.0 | 112.0 | 55.0 | 160.0 | 80.0 | 210.0 | 135.0 | 160.0 | 14.0 | 92.5 | PC75-1 | 15.80 |
| 14 | KT1705 | KM 1705 | 203-30-00140 | 276.0 | 176.0 | 123.0 | 48.0 | 184.5 | 102.0 | 240.0 | 130.0 | 158.0 | 18.0 | 102.5 | PC90-1, PC100-5 | 22.80 |
| 15 | KT1179 | KJ 1179 | 205-30-00032 | 354.0 | 219.0 | 172.0 | 80.0 | 244.0 | 110.0 | 310.0 | 154.0 | 194.0 | 17.0 | 115 | PC200-1 | 39.80 |
| 16 | KT1428 | KJ 1428 | 20Y-30-00012 | 350.0 | 220.0 | 172.0 | 85.0 | 240.0 | 110.0 | 310.0 | 150.0 | 182.0 | 20.0 | 115 | PC200-5 | 37.00 |
| 17 | KT3365 | KM 3365 A | 20Y-30-00015 | 350.0 | 220.0 | 172.0 | 85.0 | 240.0 | 110.0 | 310.0 | 150.0 | 182.0 | 20.0 | 115 | PC200-7 | 37.00 |
| 18 | KT868 | KM 868 B | 207-30-00024 | 379.9 | 235.0 | 196.0 | 102.0 | 254.0 | 114.0 | 320.0 | 210.0 | 244.0 | 19.0 | 120.8 | PC300-3 | 51.00 |
| 19 | KT1429 | KM 1429 A | 207-30-00150 | 380.0 | 258.0 | 196.0 | 88.0 | 258.0 | 114.0 | 320.0 | 180.0 | 212.0 | 22.0 | 135 | PC300-3/5/6/7 | 50.00 |
| 20 | KT1743 | KM 1743 A | 208-30-00210 | 430.0 | 278.0 | 209.0 | 101.0 | 291.0 | 136.0 | 366.0 | 200.0 | 240.0 | 23.5 | 149 | PC400-3,5 | 74.30 |
| 21 | PC 377 | PC 377 D | 9402810 | 330.0 | 186.0 | 145.0 | 70.0 | 220.0 | 88.9 | 298.5 | 150.0 | 182.0 | 17.5 | 112 | UH 063 | 29.40 |
| 22 | VA 380 | VA 380 A | - | 240.0 | 140.0 | 112.0 | 55.0 | 160.0 | 80.0 | 210.0 | 135.0 | 160.0 | 14.0 | 92.5 | COPCO ROD D3 | - |
| 23 | VA 542 | VA 542 | 71318292 | 284.0 | 168.0 | 134.0 | 60.0 | 176.0 | 100.0 | 250.0 | 160.0 | 192.0 | 17.0 | 113.5 | DP1100 | 29.00 |

Disclaimer

1. Please note that all manufacturer's names, numbers, symbols and descriptions are used for reference purposes only and do not imply that any part listed is the product of these manufacturers. This guide is intended as a general quick reference source only.
 2. Whilst every effort has been made to ensure that the information contained in this catalogue is accurate at the time of publication, Triumphal Group recommends that you consult Triumphal Group prior to placing an order to ascertain current information on specific products, as Triumphal Group reserves the rights to make changes without prior notice. Triumphal Group will not be liable for any injury, loss or damage whatsoever, arising from any errors or omissions in the information contained in the catalogue or arising from the use or application of the information contained herein. This catalogue does not constitute an offer for the sale of any particular product.



Excavator Bottom Roller Dimensions

| 序 No. | 产品编码 TPE No. | 柏可件号 BERCO No. | 原厂件号 OEM No. | 尺寸 Dimensions (mm) | | | | | | | | | | | 适用机型 Suitable for: | 重量 Weight (KG) |
|-------|--------------|----------------|--------------|--------------------|-------|-------|-------|-------|-------|-------|-------|-------|------|-------|--------------------|----------------|
| | | | | A | B | C | D | E | F | G | H | J | K | P | | |
| 24 | VO 64 | VO 64 | 1181-00781 | 380.0 | 240.0 | 196.0 | 98.0 | 258.0 | 114.0 | 320.0 | 180.0 | 212.0 | 20.0 | 135 | EC 290 | 53.00 |
| 25 | LK 132 | LK 132 A | KRA 1189 | 350.0 | 220.0 | 172.0 | 85.0 | 246.0 | 110.0 | 318.0 | 150.0 | 180.0 | 19.5 | 100 | SH 200 | 34.00 |
| 26 | KB5947 | SI 888 | 24100N5947F3 | 350.0 | 220.0 | 172.0 | 85.0 | 230.0 | 110.0 | 310.0 | 150.0 | 182.0 | 19.0 | 112 | SK200 | 36.50 |
| 27 | PE2401 | - | - | 313.0 | 192.0 | 157.0 | 64.0 | 216.0 | 120.0 | 277.0 | 155.0 | 190.0 | 17.0 | 110 | ZT2.4 | - |
| 28 | PE2402 | - | - | 263.0 | 142.0 | 107.0 | 50.0 | 166.0 | 120.0 | 227.0 | 155.0 | 190.0 | 17.0 | 110 | ZT2.4A | - |
| 29 | PE2301 | - | - | 233.0 | 158.0 | 122.0 | 50.0 | 179.0 | 80.0 | 210.0 | 150.0 | 175.0 | 13.5 | 95 | T2.3 | 23.90 |
| 30 | PE2501 | - | - | 239.0 | 158.0 | 122.0 | 50.0 | 179.0 | 120.0 | 210.0 | 180.0 | 210.0 | 13.5 | 110 | T2.5 | 36.00 |
| 31 | LB1839 | VA1839 | 851566 | 240.0 | 140.0 | 112.0 | 55.0 | 160.0 | 80.0 | 210.0 | 135.0 | 160.0 | 14.0 | 92.5 | 2000 DC | 16.10 |
| 32 | LB2377 | VA2377 | 980100 | 302.0 | 160.0 | 126.0 | 58.0 | 180.0 | 80.0 | 270.0 | 145.0 | 180.0 | 17.0 | 103 | BE 100 | 23.00 |
| 33 | LB1842 | VA1842 | 811326 | 200.0 | 124.0 | 104.0 | 50.0 | 127.0 | 70.0 | 175.0 | 126.0 | 152.0 | 13.0 | 80 | 5700B | 11.5 |
| 34 | VA320 | VA320 | - | 235.0 | 160.0 | 125.0 | 50.0 | 179.5 | 120.0 | 210.0 | 180.0 | 210.0 | 13.5 | 110 | ABG423 | 35.00 |
| 35 | HB300 | - | - | 407.0 | 252.0 | 204.8 | 98.0 | 293.4 | 114.3 | 369.0 | 168.0 | 205.0 | 22.0 | 127 | S300LC | 50.50 |
| 36 | HB220 | - | - | 357.0 | 217.0 | 172.0 | 74.0 | 242.0 | 102.0 | 322.0 | 160.0 | 195.0 | 17.5 | 120 | S220LC | 41.00 |
| 37 | HB055 | - | - | 246.0 | 131.0 | 107.0 | 50.0 | 155.0 | 80.0 | 218.0 | 110.0 | 130.0 | 13.5 | 80 | S55V | 10.80 |
| 38 | BD2G-B | - | - | 241.0 | 132.0 | 107.0 | 42.0 | 138.0 | 60.0 | 208.0 | 140.0 | 164.0 | 13.0 | 81 | BD2G | 15.50 |
| 39 | KL18 | KL18D | 1181-00010 | 350.0 | 220.0 | 172.0 | 85.0 | 250.0 | 110.0 | 320.0 | 150.0 | 182.0 | 17.0 | 115 | EC210 | 37.00 |
| 40 | KT1705 | KM1705 | 203-30-00140 | 276.0 | 176.0 | 123.0 | 48.0 | 184.5 | 102.0 | 225.0 | 130.0 | 158.0 | 18.0 | 102.5 | PC100-5 | 22.60 |
| 41 | RT210 | - | E181-2002 | 390.0 | 220.0 | 172.0 | 85.0 | 260.0 | 130.0 | 350.0 | 160.0 | 192.0 | 22.0 | 130 | ROBEX210 | 41.50 |
| 42 | KT406 | - | 20T-30-00041 | 169.0 | 145.0 | 79.0 | 30.0 | 161.0 | - | - | 95.0 | 150.0 | - | 29 | PC40-6 | 9.80 |
| 43 | KT407 | - | 20T-30-00071 | 169.0 | 140.0 | 99.0 | 36.0 | 161.0 | - | - | 95.0 | 125.0 | - | 29 | PC40-7 | 8.30 |
| 44 | VO 64 | VO 64 | 1181-00781 | 380.0 | 240.0 | 196.0 | 98.0 | 258.0 | 114.0 | 320.0 | 180.0 | 212.0 | 20.0 | 135 | EC280 | 50.00 |
| 45 | KB40 | - | PH64D00010F1 | 203.0 | 170.0 | 92.0 | - | 171.6 | - | - | 94.0 | 148.0 | - | - | SK40 | 10.00 |
| 46 | CT5108 | CR5108A | 151-9747 | 298.0 | 186.0 | 145.0 | 70.0 | 210.0 | 80.0 | 266.0 | 138.0 | 170.0 | - | 100 | E120B | 10.90 |
| 47 | HT3602 | FT3602 | 9132600 | 284.0 | 186.0 | 146.0 | 70.0 | 210.0 | 89.0 | 250.0 | 130.0 | 160.0 | 17.0 | 95 | EX135 | 20.80 |
| 48 | VA774 | VA 774A | 71318808 | 390.0 | 230.0 | 184.0 | 85.0 | 260.0 | 130.0 | 350.0 | 170.0 | 205.0 | 22.0 | 127 | FH220 | 47.00 |
| 49 | LK58 | LK58B | KSA0671 | 410.0 | 256.0 | 204.0 | 102.0 | 270.0 | 130.0 | 370.0 | 175.0 | 211.0 | 22.0 | 113 | SH300-1/2 | 50.00 |
| 50 | KT3238 | MU3238 | 20S-30-00020 | 169.0 | 122.0 | 30.0 | - | 161.0 | - | - | 85.0 | 108.0 | - | 24.5 | PC20 | 6.00 |

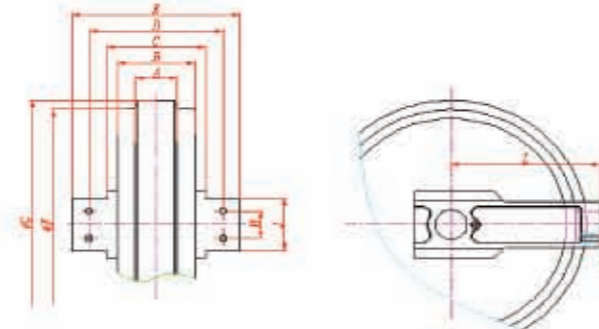
Disclaimer

1. Please note that all manufacturer's names, numbers, symbols and descriptions are used for reference purposes only and do not imply that any part listed is the product of these manufacturers. This guide is intended as a general quick reference source only.
 2. Whilst every effort has been made to ensure that the information contained in this catalogue is accurate at the time of publication, Triumphal Group recommends that you consult Triumphal Group prior to placing an order to ascertain current information on specific products, as Triumphal Group reserves the rights to make changes without prior notice. Triumphal Group will not be liable for any injury, loss or damage whatsoever, arising from any errors or omissions in the information contained in the catalogue or arising from the use or application of the information contained herein. This catalogue does not constitute an offer for the sale of any particular product.



Excavator Bottom Roller Dimensions (GP Brand)

| 序 No. | 产品编码 TPE No. | 柏可件号 BERCO No. | 原厂件号 OEM No. | 尺寸 Dimensions (mm) | | | | | | | | | | | 适用机型 Suitable for: | 重量 Weight (KG) |
|-------|--------------|----------------|----------------|--------------------|-------|-------|------|-------|-------|-------|-------|-------|------|-----|--------------------|----------------|
| | | | | A | B | C | D | E | F | G | H | J | K | P | | |
| 1 | CT5572 | CJ 5572 | GP117-5045 | 330.0 | 220.0 | 174.0 | 85.0 | 240.0 | 98.0 | 296.0 | 150.0 | 182.0 | 21.0 | 115 | 320 | 33.50 |
| 2 | KL18 | KL18D | GP1181-00010 | 350.0 | 220.0 | 172.0 | 85.0 | 250.0 | 110.0 | 320.0 | 150.0 | 182.0 | 17.0 | 115 | EC210 | 37.00 |
| 3 | KT1428 | KJ 1428 | GP20Y-30-00012 | 350.0 | 220.0 | 172.0 | 85.0 | 240.0 | 110.0 | 310.0 | 150.0 | 182.0 | 20.0 | 115 | PC200-5 | 37.00 |
| 4 | LK 132 | LK 132 A | GPKRA1189 | 350.0 | 220.0 | 172.0 | 85.0 | 246.0 | 110.0 | 318.0 | 150.0 | 180.0 | 19.5 | 100 | SH 200 | 34.00 |
| 5 | KB5947 | SI 888 | GP24100N5947F3 | 350.0 | 220.0 | 172.0 | 85.0 | 230.0 | 110.0 | 310.0 | 150.0 | 182.0 | 19.0 | 112 | SK200 | 36.50 |
| 6 | PC 377 | PC 377 D | 9402810 | 330.0 | 186.0 | 145.0 | 70.0 | 220.0 | 88.9 | 298.5 | 150.0 | 182.0 | 17.5 | 112 | UH 083 | 29.40 |

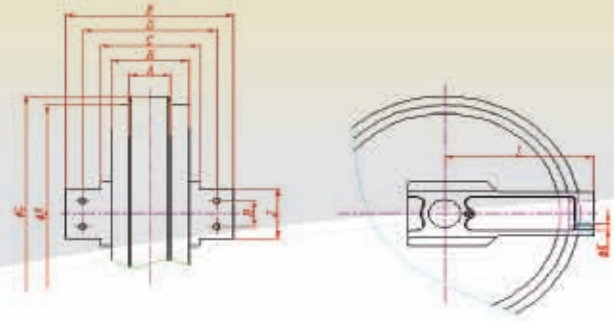


Bulldozer Idler Dimensions

| 序 No. | 产品编码 TPE No. | 柏可件号 BERCO No. | 原厂件号 OEM No. | 尺寸 Dimensions (mm) | | | | | | | | | | | 适用机型 Suitable for: | 重量 Weight (KG) |
|-------|--------------|----------------|--------------|--------------------|-------|-------|-------|-------|-------|-------|--------|-------|-----|-------|--------------------|----------------|
| | | | | A | B | C | D | E | F | G | H | J | K | L | | |
| 1 | CT4094 | CR4094A | - | 97.0 | 190.0 | - | 336.0 | 375.6 | 676.0 | 720.0 | 95.3 | 134.0 | - | - | D6D | 185 |
| 2 | CT4616 | CR4616D | 202-4304 | 95.0 | 190.0 | 272.0 | 348.0 | 372.0 | 545.0 | 585.0 | - | - | - | - | D6H/527 | 148.00 |
| 3 | KT2107WB | KM2107A | 14X-30-00110 | 101.0 | 190.0 | - | 240.0 | 312.0 | 590.0 | 630.0 | 55.0 | - | M20 | 330.0 | D65EX-12 | 213.70 |
| 4 | CT4593 | CR 4593 A | 9W 7647 | 102.0 | 204.0 | - | - | 405.0 | 628.0 | 668.0 | - | - | - | - | D7H/R | 262.00 |
| 5 | KT835 | KM 835 | 154-30-00293 | 103.0 | 205.0 | - | 250.0 | 468.0 | 730.0 | 775.0 | 95.0 | - | M20 | 432.0 | D85 | 310.00 |
| 6 | CT2743 | CR2743 | - | 122.0 | 249.0 | - | - | 485.7 | 813.0 | 863.0 | 107.95 | 142.8 | - | - | D8K | 333.00 |
| 7 | CT4530 | CR4530 | - | 98.0 | 232.0 | 336.4 | - | 460.0 | 698.0 | 738.0 | - | 68.0 | - | - | D8N | 354.60 |
| 8 | KT836 | KM 836 | 175-30-00575 | 122.0 | 245.0 | 310.0 | 290.0 | 490.0 | 800.0 | 848.0 | 110.0 | - | - | - | D155 | 363.20 |
| 9 | CT4095 | CR4095 | 988489 | 101.0 | 203.0 | 319.0 | 371.4 | 412.6 | 750.0 | 795.0 | 104.6 | - | - | - | D7G | 230.00 |
| 10 | CT3004 | CR3004 | 6S3277 | 54.0 | 112.0 | 171.8 | 244.8 | 304.8 | 508.0 | 540.0 | 127.0 | - | - | 432.0 | D3C | 463.80 |

Disclaimer

1. Please note that all manufacturer's names, numbers, symbols and descriptions are used for reference purposes only and do not imply that any part listed is the product of these manufacturers. This guide is intended as a general quick reference source only.
 2. Whilst every effort has been made to ensure that the information contained in this catalogue is accurate at the time of publication, Triumphal Group recommends that you consult Triumphal Group prior to placing an order to ascertain current information on specific products, as Triumphal Group reserves the rights to make changes without prior notice. Triumphal Group will not be liable for any injury, loss or damage whatsoever, arising from any errors or omissions in the information contained in the catalogue or arising from the use or application of the information contained herein. This catalogue does not constitute an offer for the sale of any particular product.

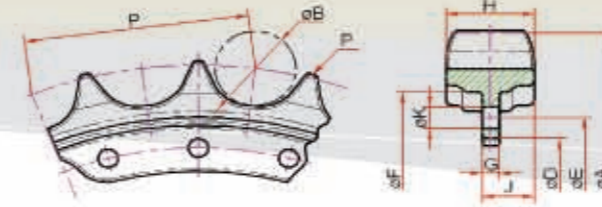


Excavator Idler Dimensions

| 序 No. | 产品编码 TPE No. | 柏可件号 BERCO No. | 原厂件号 OEM No. | 尺寸 Dimensions (mm) | | | | | | | | | | | 适用机型 Suitable for: | 重量 Weight (KG) |
|-------|--------------|----------------|--------------|--------------------|-------|-------|-------|-------|-------|-------|------|-------|-----|-------|--------------------|----------------|
| | | | | A | B | C | D | E | F | G | H | J | K | L | | |
| 1 | CT5732 | CR 5732 | 113-2907 | 84.0 | 158.0 | 200.0 | 270.0 | 339.0 | 506.0 | 546.0 | 60.0 | 115.0 | M16 | 300.0 | 320.0 | 127.00 |
| 2 | CT6403 | CR 6403 | 135-8903 | 122.0 | 245.0 | 316.0 | 334.0 | 450.0 | 690.0 | 738.0 | 80.0 | 158.0 | M20 | 405.0 | 350.0 | 352.20 |
| 3 | CT6087 | CR 6087 | 115-3698 | 101.0 | 206.0 | 268.0 | 350.0 | 393.0 | 635.0 | 680.0 | 60.0 | 135.0 | M20 | 370.0 | E330 | 235.00 |
| 4 | VO3 | VO 3 | 1181-00030 | 83.0 | 170.0 | 260.0 | 300.0 | 340.0 | 500.0 | 540.0 | 65.0 | 103.0 | M16 | 330.0 | EC 210 | 112.00 |
| 5 | VO18 | VO 18 | 14510972 | 101.0 | 203.0 | 290.0 | 360.0 | 410.0 | 595.0 | 640.0 | 65.0 | 110.0 | M16 | 290.0 | EC 290 | - |
| 6 | KT2795 | KM 2795 | 203-30-00133 | 52.0 | 112.0 | 183.0 | 227.0 | 263.0 | 489.0 | 527.0 | 44.0 | 82.0 | - | 302.0 | PC100-5 | - |
| 7 | KT1641 | KM 1641 | 205-30-00182 | 85.0 | 164.0 | 247.4 | 292.0 | 341.0 | 520.0 | 560.0 | 66.0 | 105.0 | M16 | 196.0 | PC150-3 PC200-3 | 138.00 |
| 8 | KT1642 | KM 1642 | 20Y-30-00030 | 85.0 | 164.0 | 247.0 | 280.0 | 340.0 | 520.0 | 560.0 | 66.0 | 105.0 | M16 | 196.0 | PC200-5,6 | 117.20 |
| 9 | KT3299 | KM 3299A | 20Y-30-00321 | 84.0 | 159.0 | 247.0 | 280.0 | 340.0 | 500.0 | 540.0 | 66.0 | 105.0 | M16 | 196.0 | PC200-7 | 115.80 |
| 10 | KT2016 | KM 2016 A | 207-30-00160 | 101.0 | 190.0 | 261.0 | 360.0 | 398.0 | 590.0 | 630.0 | 60.0 | 120.0 | M20 | 250.0 | PC300-5,6 | 195.00 |
| 11 | KT1973 | KM 1973A | 208-30-00200 | 105.0 | 202.0 | 297.0 | 410.0 | 420.0 | 660.0 | 704.0 | 66.0 | 145.0 | M24 | 275.0 | PC400-5,6 | 264.30 |
| 12 | HT60 | - | 9125766 | 62.0 | 125.0 | 190.0 | 219.0 | 254.0 | 385.0 | 421.0 | 47.0 | 75.0 | M14 | 80.0 | EX60 | 63.60 |
| 13 | HT100 | - | 9068144 | 68.0 | 134.0 | 208.0 | 260.0 | 300.0 | 454.0 | 489.0 | 70.0 | 108.0 | M16 | 80.0 | EX100-1 | 87.50 |
| 14 | SI738 | SI 738 | 9066393 | 84.0 | 159.0 | 226.0 | 287.0 | 338.0 | 500.0 | 540.0 | 64.0 | 108.0 | M16 | 80.0 | EX200-1 | 115.00 |
| 15 | SI824 | SI 824 | 9115208 | 104.0 | 204.0 | 252.0 | 324.0 | 375.0 | 530.0 | 575.0 | 70.0 | 115.0 | M16 | 130.0 | EX300-1,2,3 | 186.00 |
| 16 | KB1169 | - | 24100J1169F1 | 94.0 | 182.0 | 262.0 | 310.0 | 358.0 | 525.0 | 565.0 | - | 105.0 | M20 | 280.0 | SK220 | 160.00 |
| 17 | KB4064 | - | 24100N4064F1 | 85.0 | 162.0 | 230.0 | 280.0 | 324.0 | 560.0 | 600.0 | - | 105.0 | M16 | 280.0 | SK07N2 | 145.00 |
| 18 | KB5948 | - | 24100N5948F2 | 84.0 | 160.0 | 227.0 | 280.0 | 324.0 | 500.0 | 540.0 | - | 100.0 | M16 | 245.0 | SK200 | 112.50 |
| 19 | LB1821 | VA1821 | 811406 | 47.0 | 100.0 | 129.0 | 160.0 | 190.0 | 269.0 | 307.0 | 35.0 | 60.0 | - | 90.0 | M1000 | 27.80 |
| 20 | KT2795 | KM2795 | 203-30-00210 | 52.0 | 115.0 | 183.0 | 227.0 | 263.0 | 490.0 | 527.0 | 44.0 | 82.0 | M14 | 302.0 | PC120-6 | 81.20 |
| 21 | HT738 | SI 738 | 9066393 | 84.0 | 160.0 | 227.0 | 287.0 | 342.0 | 500.0 | 540.0 | 64.0 | 108.0 | M16 | 83.0 | EX200-5 | 109.00 |

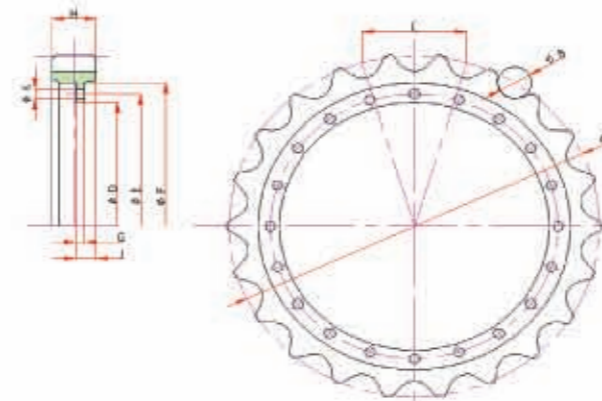
Disclaimer

1. Please note that all manufacturer's names, numbers, symbols and descriptions are used for reference purposes only and do not imply that any part listed is the product of these manufacturers. This guide is intended as a general quick reference source only.
2. Whilst every effort has been made to ensure that the information contained in this catalogue is accurate at the time of publication, Triumphal Group recommends that you consult Triumphal Group prior to placing an order to ascertain current information on specific products, as Triumphal Group reserves the rights to make changes without prior notice. Triumphal Group will not be liable for any injury, loss or damage whatsoever, arising from any errors or omissions in the information contained in the catalogue or arising from the use or application of the information contained herein. This catalogue does not constitute an offer for the sale of any particular product.



Segment Dimensions

| 序 No. | 产品编码 TPE No. | 柏可件号 BERCO No. | 原厂件号 OEM No. | 尺寸 Dimensions (mm) | | | | | | | | | | | 螺栓孔数 Bolt | 齿数 Teeth | 一组数量 IGRP QTY | 件号(组) OE NO. GRP | 适用机型 Suitable for: | 重量/单 Weight (KG) |
|-------|--------------|----------------|--------------|--------------------|------|--------|-------|-------|-------|------|-------|------|------|---|-----------|----------|---------------|------------------|--------------------|------------------|
| | | | | A | B | P | D | E | F | G | H | J | K | | | | | | | |
| 1 | - | CR3329 | 8E4365 | 825.00 | 72.8 | 202.90 | 608.0 | 654.0 | 698.5 | 15.3 | 79.0 | 46.8 | 16.0 | 4 | 5 | 5 | 7P2706 | D6D | 11.20 | |
| 2 | - | CR5475 | 117-1616 | 825.00 | 72.8 | 202.90 | 608.0 | 654.0 | 698.5 | 15.3 | 79.0 | 46.8 | 21.0 | 4 | 5 | 5 | 117-1616 | D6D | 11.20 | |
| 3 | - | CR5514A | 173-0945 | 825.00 | 72.8 | 202.90 | 614.0 | 658.0 | 700.0 | 18.5 | 79.0 | 39.0 | 16.0 | 5 | 5 | 5 | 7G7212 | D6H | 11.10 | |
| 4 | - | KM207B | 141-27-32410 | 894.00 | 70.0 | 203.20 | 655.0 | 705.0 | 755.0 | 20.0 | 89.0 | 54.5 | 23.5 | 3 | 3 | 9.0 | 141-27-32280 | D60, D85 | 8.10 | |
| 5 | - | KM207B | 141-27-32410 | 894.00 | 70.0 | 202.90 | 658.0 | 705.0 | 755.0 | 20.0 | 89.0 | 54.5 | 23.5 | 3 | 3 | 9.0 | 141-27-32280 | D60, D85 | 8.10 | |
| 5 | - | CR3113B | 8E4675 | 868.0 | 76.0 | 215.9 | 650.0 | 692.2 | 750.0 | 22.0 | 90.0 | 54.0 | 21.0 | 4 | 5 | 5 | 5S0052 | D7G | - | |
| 6 | - | KM223C | - | 868.0 | 76.0 | 215.9 | 650.0 | 700.0 | 750.0 | 22.0 | 90.0 | 54.0 | 23.5 | 5 | 5 | 5 | 155-27-00151 | D80, D85 | 14.20 | |
| 7 | - | KM192D | 175-27-22325 | 1002.0 | 81.8 | 228.6 | 752.0 | 800.0 | 862.0 | 24.0 | 103.0 | 63.5 | 26.5 | 3 | 3 | 9.0 | 17A-27-11630 | D155 | 12.00 | |

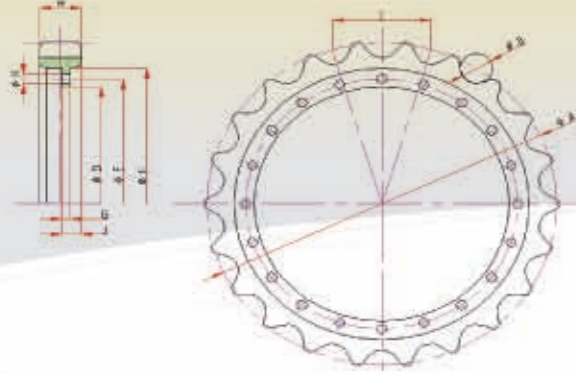


Sprocket Dimensions

| 序 No. | 产品编码 TPE No. | 柏可件号 BERCO No. | 原厂件号 OEM No. | 尺寸 Dimensions (mm) | | | | | | | | | | | 齿数 Teeth | 孔数 of Holes | 适用机型 Suitable for: | 重量 Weight (KG) |
|-------|--------------|----------------|--------------|--------------------|-------|--------|-------|-------|-------|------|-------|-------|------|----|----------|-------------|--------------------|----------------|
| | | | | A | B | C | D | E | F | G | H | J | K | | | | | |
| 1 | 1M1777 | CR 1461 A | 1M1777 | 797.55 | 54.0 | 171.45 | 646.0 | - | - | 18.0 | 58.0 | - | - | 29 | - | D4D | 43.00 | |
| 2 | 101-98-00050 | KM 912 | 101-98-00050 | 542.84 | 41.00 | 135.00 | 435.0 | - | - | 13.0 | 40.00 | 26.00 | - | 25 | - | PC60-1 | 23.00 | |
| 3 | 20Y-27-11581 | KM 4096 | 20Y-27-11581 | 644.6 | 59.0 | 190.0 | 475.0 | 506.0 | 545.0 | 16.0 | 70.0 | 28.0 | 19.0 | 21 | 20 | PC200-5,6 | 38.00 | |
| 4 | 20Y-27-11582 | KM 1501 A | 20Y-27-11582 | 644.6 | 59.9 | 190.0 | 474.0 | 506.0 | 544.0 | 16.0 | 71.0 | 29.5 | 19.0 | 21 | 20 | PC200-7 | - | |
| 5 | 207-27-33222 | KM 1815 | 207-27-33222 | 721.25 | 67.0 | 203.2 | 525.0 | 560.0 | 607.5 | 18.0 | 80.0 | 38.0 | 21.5 | 22 | 20 | PC300-5 | 50.00 | |
| 6 | 207-27-61210 | KM 2385 | 207-27-61210 | 732.80 | 68.0 | 216.0 | 525.0 | 560.0 | 608.0 | 20.0 | 84.0 | 40.0 | 21.5 | 21 | 20 | PC300-6 | 67.00 | |
| 7 | 208-27-31221 | KM 1616 | 208-27-31221 | 800.6 | 74.7 | 216.0 | 570.0 | 610.0 | 663.0 | 20.0 | 90.0 | 42.0 | 21.0 | 23 | 26 | PC400-5 | - | |
| 8 | 1010447 | - | 1010447 | 522.5 | 50.0 | 154.0 | 290.0 | 330.0 | 444.0 | 14.0 | 52.0 | 34.0 | 18.0 | 21 | 12 | EX60 | 27.00 | |
| 9 | 1010325 | FT 3066 | 1010325 | 581.66 | 55.7 | 171.45 | 356.5 | 396.0 | 490.0 | 16.0 | 62.0 | 39.0 | 17.5 | 21 | 16 | EX100-1,2 | 33.00 | |
| 10 | 1010204 | FT 3058 | 1010204 | 650.3 | 58.0 | 175.45 | 416.0 | 464.0 | 552.0 | 22.0 | 72.0 | 51.0 | 22.0 | 23 | 16 | EX200-1 | 50.00 | |

Disclaimer

1. Please note that all manufacturer's names, numbers, symbols and descriptions are used for reference purposes only and do not imply that any part listed is the product of these manufacturers. This guide is intended as a general quick reference source only.
2. Whilst every effort has been made to ensure that the information contained in this catalogue is accurate at the time of publication, Triumphal Group recommends that you consult Triumphal Group prior to placing an order to ascertain current information on specific products, as Triumphal Group reserves the rights to make changes without prior notice. Triumphal Group will not be liable for any injury, loss or damage whatsoever, arising from any errors or omissions in the information contained in the catalogue or arising from the use or application of the information contained herein. This catalogue does not constitute an offer for the sale of any particular product.

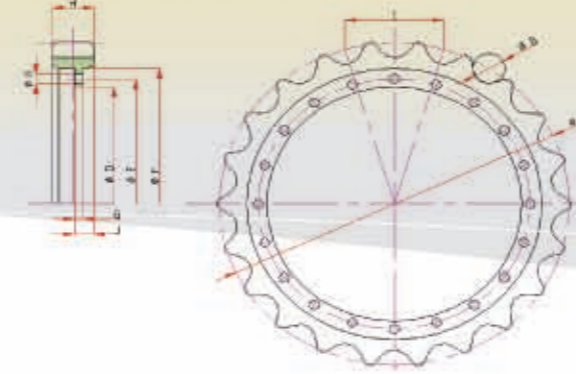


Sprocket Dimensions

| 序 No. | 产品编码 TPE No. | 柏可件号 BERCO No. | 原厂件号 OEM No. | 尺寸 Dimensions (mm) | | | | | | | | | | | 齿数 Teeth | 孔数 of Holes | 适用机型 Suitable for: | 重量 Weight (KG) |
|-------|--------------|----------------|--------------|--------------------|-------|--------|--------|--------|--------|-------|-------|-------|-------|-------|----------|-----------------|--------------------|----------------|
| | | | | A | B | C | D | E | F | G | H | J | K | | | | | |
| 11 | 1018740 | HT 403 | 1018740 | 644.6 | 59.0 | 190.0 | 421.0 | 465.0 | 525.0 | 22.0 | 72.0 | 50.0 | 22.0 | 21 | 16 | EX200-3 | 45.00 | |
| 12 | 1010467 | FT 3060 A | 1010467 | 689.4 | 69.0 | 203.2 | 465.0 | 514.0 | 565.0 | 26.0 | 84.0 | 55.0 | 22.0 | 21 | 16 | EX300-1/2 | 56.70 | |
| 13 | 1017928 | HT 410 | 1017928 | 689.4 | 69.0 | 203.2 | 465.0 | 514.0 | 565.0 | 26.0 | 84.0 | 55.0 | 22.0 | 21 | 20 | EX300-3 | 56.50 | |
| 14 | 8E9805 | CR 5602 | 8E9805 | 644.6 | 59.0 | 190.0 | 457.0 | 497.0 | 550.0 | 20.0 | 63.0 | 44.0 | 21.5 | 21 | 16 | CAT320 | 38.20 | |
| 15 | 6Y5685 | CR5861A CR6097 | 6Y5685 | 800.6 | 70.0 | 216.0 | 515.0 | 566.0 | 690.0 | 28.0 | 80.0 | 53.0 | 25.0 | 23 | 16 | E330 | 94.00 | |
| 16 | 1181-00681 | VO 19 | 1181-00681 | 689.4 | 66.5 | 203.2 | 450.0 | 490.0 | 580.0 | 23.0 | 80.0 | 56.5 | 21.0 | 21 | 16 | EC290 | - | |
| 17 | 1008249 | FT 3057 | 1008249 | 634.6 | 58.0 | 171.2 | 365.0 | 405.0 | 450.0 | 38.0 | 65.0 | 27.0 | 18.0 | 23 | - | EX150 | - | |
| 18 | 1010203 | FT 3059 | 1010203 | 644.6 | 59.0 | 190.0 | 431.0 | 480.0 | 527.0 | 21.0 | 70.0 | 42.5 | 22.0 | 21 | 16 | EX220 EX200-2/5 | 45.80 | |
| 19 | 1005873 | - | 1005873 | 634.18 | 50.0 | 171.1 | 330.5 | 365.0 | 538.18 | 16.0 | 65.0 | 43.0 | 18.0 | 23 | 16 | UH063 | 48.00 | |
| 20 | 1005954 | - | 1005954 | 650.4 | 58.0 | 175.45 | 371.5 | 416.0 | 552.4 | 20.0 | 72.0 | 43.0 | 22.0 | 23 | 16 | UH063 | 58.50 | |
| 21 | 811350 | VA1816 | 811350 | 346.03 | 32.0 | 125.00 | 136.6 | 177.8 | 290.0 | 25.0 | 45.0 | 36.5 | 16.5 | 17 | 8 | LEE T415-C | 14.80 | |
| 22 | 980670 | VA2669 | 980670 | 373.70 | 41.00 | 135.00 | 241.0 | 272.5 | 308.00 | 14.0 | 42.00 | 30.00 | 16.5 | 17 | - | LEEBOY 8500 | - | |
| 23 | 6Y4898 | CR5604 | 6Y4898 | 688.70 | 68.00 | 203.00 | 451.00 | 490.00 | 556.00 | 22.00 | 73.00 | 53.00 | 21.00 | 21 | 21 | CAT325 | - | |
| 24 | 6Y4898 | CR5604 | 6Y4898 | 688.71 | 68.00 | 203.00 | 451.00 | 490.00 | 556.00 | 22.00 | 73.00 | 53.00 | 20.00 | 21 | 18 | CAT325L | - | |
| 25 | - | - | - | 524.84 | 41.20 | 135.00 | 310.00 | 315.00 | - | 16.00 | 36.00 | 26.00 | 60.00 | 25.00 | - | D20 | - | |
| 26 | 2108-1015A-2 | - | 2108-1015A-2 | 753.15 | 66.80 | 203.20 | 450.00 | 490.00 | 632.00 | 23.00 | 74.00 | 40.00 | 22.00 | 23 | 16 | DH280 | - | |
| 27 | - | - | - | 581.83 | 50.80 | 171.50 | 345.00 | 388.00 | 425.00 | 20.00 | 58.00 | 39.00 | 17.00 | 21 | 15 | E120B | - | |
| 28 | 096-4327 | CR5338 | 096-4327 | 644.59 | 58.80 | 190.00 | 415.00 | 455.00 | 500.00 | 20.00 | 65.00 | 41.00 | 22.00 | 21 | 14 | E200B | - | |
| 29 | - | - | - | 650.50 | 58.80 | 175.40 | 500.00 | - | 553.50 | 18.00 | 73.00 | 45.50 | - | 23 | - | E225 | - | |
| 30 | 099-4129 | CR5340 | 099-4129 | 753.15 | 66.80 | 203.20 | 450.00 | 490.00 | 540.00 | 28.00 | 74.00 | 61.00 | 22.00 | 23 | 16 | E300B | - | |
| 31 | 142-6825 | CR6358 | 142-6825 | 581.83 | 50.80 | 171.50 | 325.00 | 364.00 | 416.00 | 20.00 | 58.00 | 39.00 | 17.00 | 21 | 15 | CAT312 | - | |
| 32 | 096-2144 | - | 096-2144 | 542.84 | 52.00 | 135.00 | 287.00 | 335.00 | 472.00 | 16.00 | 38.00 | 27.00 | 21.00 | 25 | 12 | E70 | - | |
| 33 | 1081-02210 | VO23 | 1081-02210 | 800.59 | 74.50 | 216.00 | 563.00 | 510.00 | 680.00 | 25.00 | 86.00 | 75.00 | 21.00 | 23 | 24 | EC460 | - | |
| 34 | 3T9152 | CR3979 | 3T9152 | 650.11 | 58.80 | 175.40 | 415.00 | 455.00 | 502.00 | 20.00 | 68.00 | 44.00 | 17.50 | 23 | 22 | MS180-3 | - | |
| 35 | 208-27-61210 | KM2384 | 208-27-61210 | 775.56 | 70.00 | 116.70 | 565.00 | 607.00 | 651.50 | 20.00 | 90.00 | 42.00 | 21.00 | 21 | 26 | PC400-6 | - | |
| 36 | 21W-27-11111 | KM3158 | 21W-27-11111 | 522.46 | 41.00 | 154.00 | 265.00 | 300.00 | 442.00 | 14.00 | 38.00 | 28.00 | 15.00 | 21 | 12 | PC80-6 | - | |

Disclaimer

1. Please note that all manufacturer's names, numbers, symbols and descriptions are used for reference purposes only and do not imply that any part listed is the product of these manufacturers. This guide is intended as a general quick reference source only.
 2. Whilst every effort has been made to ensure that the information contained in this catalogue is accurate at the time of publication, Triumphal Group recommends that you consult Triumphal Group prior to placing an order to ascertain current information on specific products, as Triumphal Group reserves the rights to make changes without prior notice. Triumphal Group will not be liable for any injury, loss or damage whatsoever, arising from any errors or omissions in the information contained in the catalogue or arising from the use or application of the information contained herein. This catalogue does not constitute an offer for the sale of any particular product.

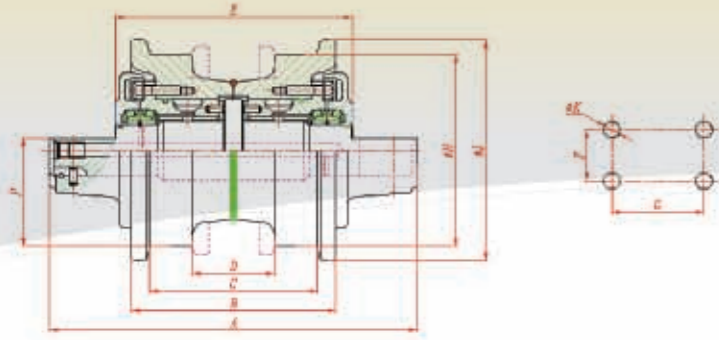


Sprocket Dimensions

| 序 No. | 产品编码 TPE No. | 柏可件号 BERCO No. | 原厂件号 OEM No. | 尺寸 Dimensions (mm) | | | | | | | | | | | 齿数 Teeth | 孔数 of Holes | 适用机型 Suitable for: | 重量 Weight (KG) |
|-------|--------------|----------------|--------------|--------------------|-------|--------|--------|--------|--------|-------|-------|-------|-------|----|----------|-------------|--------------------|----------------|
| | | | | A | B | C | D | E | F | G | H | J | K | | | | | |
| 37 | - | - | - | 580.47 | 53.80 | 171.10 | 362.00 | 402.00 | 437.00 | 19.00 | 60.00 | 39.50 | 17.50 | 21 | 24 | R130-1伊顿 | - | |
| 38 | - | - | - | 635.66 | 50.60 | 171.50 | 350.00 | 400.00 | 453.00 | 20.00 | 70.00 | 47.00 | 21.00 | 23 | 16 | SE210-3 | - | |
| 39 | - | - | - | 634.00 | 54.00 | 171.07 | 324.00 | 364.50 | 410.00 | 20.00 | 55.00 | 37.00 | 17.50 | 23 | 15 | SH120/260 | - | |
| 40 | - | - | - | 634.17 | 53.80 | 171.10 | 325.00 | 364.00 | 413.00 | 20.00 | 58.00 | 36.00 | 17.00 | 23 | 15 | SH120/SH260 | - | |
| 41 | - | - | - | 595.00 | 64.00 | 175.40 | 362.00 | 402.00 | 445.00 | 30.00 | 76.00 | 61.00 | 17.50 | 21 | 21 | SH280-Z21 | - | |
| 42 | - | - | - | 634.17 | 50.80 | 171.10 | 402.00 | 440.00 | 480.00 | 28.00 | 69.00 | 54.50 | 17.00 | 23 | 22 | SH280-Z23 | - | |
| 43 | - | - | - | 704.23 | 60.00 | 190.00 | 402.00 | 440.00 | 543.00 | 20.00 | 68.00 | 44.00 | 17.00 | 23 | 22 | SH340 | - | |
| 44 | - | - | - | 644.59 | 60.00 | 190.00 | 410.00 | 449.00 | 510.00 | 22.00 | 65.00 | 43.50 | 19.00 | 21 | 22 | SK200-3 | - | |
| 45 | - | - | - | 689.37 | 66.80 | 203.20 | 454.00 | 500.00 | 550.00 | 24.00 | 76.00 | 48.00 | 22.00 | 21 | 20 | SK220-1 | - | |
| 46 | LQ51D01001P1 | - | LQ51D01001P1 | 704.23 | 60.00 | 190.00 | 454.00 | 500.00 | 548.00 | 23.00 | 72.00 | 46.00 | 21.50 | 23 | 20 | SK220-3 | - | |
| 47 | YN51D01002P1 | KB27 | YN51D01002P1 | 644.60 | 64.60 | 190.00 | 410.00 | 450.00 | 516.00 | 23.00 | 65.00 | 44.00 | 19.50 | 21 | 26 | SK230 | - | |

Disclaimer

1. Please note that all manufacturer's names, numbers, symbols and descriptions are used for reference purposes only and do not imply that any part listed is the product of these manufacturers. This guide is intended as a general quick reference source only.
 2. Whilst every effort has been made to ensure that the information contained in this catalogue is accurate at the time of publication, Triumphal Group recommends that you consult Triumphal Group prior to placing an order to ascertain current information on specific products, as Triumphal Group reserves the rights to make changes without prior notice. Triumphal Group will not be liable for any injury, loss or damage whatsoever, arising from any errors or omissions in the information contained in the catalogue or arising from the use or application of the information contained herein. This catalogue does not constitute an offer for the sale of any particular product.

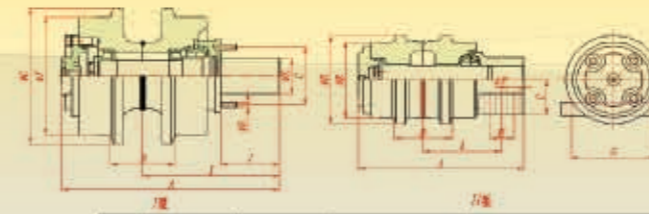


Bulldozer Bottom Roller Dimensions

| 序 No. | 产品编码 TPE No. | 柏可件号 BERCO No. | 原厂件号 OEM No. | 尺寸 Dimensions (mm) | | | | | | | | | | | 适用机型 Suitable for: | 重量 Weight (KG) |
|-------|--------------|----------------|--------------|--------------------|-------|-------|-------|-------|-------|-------|-------|-------|------|-------|--------------------|----------------|
| | | | | A | B | C | D | E | F | G | H | J | K | P | | |
| 1 | KT909 | KM909 | 101-30-00150 | 238.0 | 131.0 | 105.0 | 42.0 | 149.0 | 82.0 | 195.0 | 135.0 | 156.0 | 15.0 | 78.5 | D20 | 15.30 |
| 2 | CT1328 | CR 1328 E | 118-1608 | 354.0 | 174.0 | 141.0 | 73.0 | 222.0 | 89.0 | 298.5 | 202.0 | 230.0 | 17.0 | 114.0 | D4D | 44.00 |
| | CT1329 | CR 1329 E | 118-1609 | | | | | | | | | | | | | 48.00 |
| 3 | CT3634 | CR 3634 A | 118-1617 | 380.0 | 228.0 | 189.0 | 102.0 | 254.0 | 114.3 | 330.5 | 210.0 | 246.0 | 21.0 | 121 | D6D | 50.50 |
| | CT3635 | CR 3635 A | 118-1618 | | | | | | | | | | | | | 57.50 |
| 4 | CT6088 | CR6088 | 120-5746 | 380.0 | 228.0 | 189.0 | 102.0 | 263.0 | 114.3 | 333.0 | 210.0 | 246.0 | 22.5 | 121 | D6H | 51.80 |
| | CT6089 | CR6089 | 120-5766 | | | | | | | | | | | | | 56.60 |
| 5 | KT2101 | KM 2101 | 14X-30-00081 | 378.0 | 235.0 | 196.0 | 100.0 | 258.0 | 114.0 | 320.0 | 210.0 | 240.0 | 19.0 | 121 | D65EX-12 | 53.00 |
| | KT2102 | KM 2102 | 14X-30-00091 | | | | | | | | | | | | | 59.40 |
| 6 | CT2617 | CR 2617 A | 118-1623 | 425.0 | 248.0 | 205.0 | 102.0 | 289.0 | 114.3 | 369.0 | 222.0 | 256.0 | 23.0 | 127 | D7G | 71.00 |
| | CT2615 | CR 2615 A | 118-1625 | | | | | | | | | | | | | 79.00 |
| 7 | KT26 | KM 26D | 154-30-00505 | 443.0 | 250.0 | 208.0 | 102.0 | 308.0 | 136.0 | 380.0 | 222.0 | 260.0 | 21.0 | 127 | D80A-12 | 71.40 |
| | KT27 | KM 27D | 154-30-00405 | | | | | | | | | | | | | 79.40 |
| 8 | KT351 | KM 351 A | 155-30-00124 | 448.0 | 251.0 | 209.0 | 103.0 | 307.0 | 136.0 | 380.0 | 222.0 | 257.0 | 23.5 | 127 | D85A-18 | 71.40 |
| | KT353 | KM 353 A | 155-30-00114 | | | | | | | | | | | | | 79.40 |
| 9 | CT2798 | CR2798 | 6P 4897 | 518.0 | 294.0 | 248.0 | 120.0 | 338.0 | 133.4 | 428.6 | 256.0 | 300.0 | 27.0 | 128 | D8K | 113.00 |
| | CT2787 | CR2787 | 6P 4898 | | | | | | | | | | | | | 120.00 |
| 10 | KT122 | KM 122 B | 175-30-00486 | 501.0 | 294.0 | 244.0 | 116.0 | 323.0 | 140.0 | 408.0 | 255.0 | 298.0 | 26.0 | 145.5 | D155-1/2 | 110.00 |
| | KT123 | KM 123 B | 175-30-00496 | | | | | | | | | | | | | 118.00 |
| 11 | KT859 | KM 859 | 140-30-00072 | 368.0 | 214.0 | 173.0 | 80.0 | 237.0 | 110.0 | 310.0 | 200.0 | 233.0 | 17.0 | 116 | D50 | 50.50 |
| | KT860 | KM 860 | 140-30-00082 | | | | | | | | | | | | | 57.50 |
| 12 | CT1292 | CR1292D | AT76033 | 373.8 | 208.0 | 171.0 | 84.0 | 241.8 | 101.6 | 317.8 | 203.0 | 233.0 | 17.0 | 114.5 | D5B | 43.80 |
| | CT1293 | CR1293D | AT76034 | | | | | | | | | | | | | 49.50 |
| 13 | CT6150 | CR6150 | 128-8237 | 343.0 | 174.0 | 142.0 | 70.0 | 221.0 | 89.0 | 298.5 | 175.0 | 198.0 | 18.0 | 104.5 | D4H | 36.80 |
| | CT6151 | CR6151 | 128-8241 | | | | | | | | | | | | | 38.90 |
| 14 | KT1793 | CR1793D | 118-1615 | 380.0 | 228.0 | 189.0 | 102.0 | 254.0 | 114.3 | 330.5 | 210.0 | 246.0 | 17.0 | 121 | D6C | 50.50 |
| | KT1792 | CR1792D | 118-1614 | | | | | | | | | | | | | 57.50 |
| 15 | CT4528 | CR4528E | 9W8705 | 456.0 | 278.0 | 234.0 | 98.0 | 328.0 | - | - | 246.0 | 276.0 | - | - | D8N/R | 91.00 |
| | CT4529 | CR4529E | 9W8706 | | | | | | | | | | | | | 97.00 |
| 16 | CT4672 | CR4672D | 7T1258 | 490.0 | 306.0 | 262.0 | 100.0 | 375.8 | - | - | 260.0 | 292.0 | - | - | D9N/R | 102.00 |
| | CT4673 | CR4673D | 7T1253 | | | | | | | | | | | | | 116.00 |
| 17 | KT926 | KM 926B | 195-30-00336 | 584.0 | 336.0 | 271.0 | 130.0 | 394.0 | 145.0 | 500.0 | 270.0 | 314.0 | 29.0 | - | D355-3/5 | 150.70 |
| | KT927 | KM 927B | 195-30-00346 | | | | | | | | | | | | | 163.20 |
| 18 | CT4352 | CR3000 | 3T4352 | 271.0 | 155.0 | 125.0 | 57.0 | 175.0 | 101.6 | 231.0 | 152.0 | 178.0 | 13.5 | 88.5 | D3C | 22.20 |
| | CT6088A | CR6088 | 231-3093 | | | | | | | | | | | | | 23.70 |
| 19 | CT6089A | CR6088 | 231-3088 | 380.0 | 228.0 | 189.0 | 102.0 | 254.0 | 114.3 | 330.5 | 210.0 | 246.0 | 21.0 | 121 | D6R | 50.30 |
| | | | | | | | | | | | | | | | | 57.30 |

Disclaimer

1. Please note that all manufacturer's names, numbers, symbols and descriptions are used for reference purposes only and do not imply that any part listed is the product of these manufacturers. This guide is intended as a general quick reference source only.
 2. Whilst every effort has been made to ensure that the information contained in this catalogue is accurate at the time of publication, Triumphal Group recommends that you consult Triumphal Group prior to placing an order to ascertain current information on specific products, as Triumphal Group reserves the rights to make changes without prior notice. Triumphal Group will not be liable for any injury, loss or damage whatsoever, arising from any errors or omissions in the information contained in the catalogue or arising from the use or application of the information contained herein. This catalogue does not constitute an offer for the sale of any particular product.



Bulldozer & Excavator Top Roller Dimensions

| 序 No. | 产品编码 TPE No. | 柏可件号 BERCO No. | 原厂件号 OEM No. | 尺寸 Dimensions (mm) | | | | | | | | | | 适用机型 Suitable for: | 重量 Weight (KG) | 类型 Type |
|-------|--------------|----------------|----------------------|--------------------|--------|--------|--------|--------|--------|--------|-------|--------|-------|--------------------|----------------|---------|
| | | | | A | B | C | D | E | F | G | H | I | J | | | |
| 1 | CT5592 | CR 5592 A | 8E 5800 | 289.0 | 84.0 | - | - | 47.0 | 120.0 | 140.0 | - | 178.5 | 68.5 | 320 | 16.0 | I |
| 2 | CT5595 | CR 5595 A | 6Y 5323 | 296.0 | 94.0 | - | - | 46.5 | 160.0 | 188.0 | - | 184 | 70 | 330 | 30.0 | I |
| 3 | HT61 | - | 9062403 | 189.2 | 60.0 | 64.0 | 100.0 | 86.0 | 14.0 | 94.0 | 35.0 | 88 | - | EX60 | 6.8 | II |
| 4 | HT2744 | FT 2744 | 9061288 | 213.5 | 67.0 | 57.0 | 160.0 | 140.0 | 17.0 | 124.0 | 35.0 | 105.5 | - | EX120 | 17.5 | II |
| 5 | HT3615 | FT 3615 A | 9062406 | 231.5 | 84.0 | 54.0 | 140.0 | 120.0 | 17.0 | 124.0 | 35.0 | 113 | - | EX200 | 13.7 | II |
| 6 | HT2772 | FT 2772 | 9062405 | 225.0 | 84.0 | 57.0 | 170.0 | 150.0 | 17.0 | 124.0 | 35.0 | 113 | - | EX200-1 | 25.9 | II |
| 7 | KT981 | ID961 | 9134245 | 238.0 | 84.0 | 57.0 | 140.0 | 120.0 | 17.0 | 124.0 | 35.0 | 115 | - | EX200-5 | 16.80 | II |
| 8 | HT2784 | FT 2784 A | 9062405 | 238.0 | 96.0 | 57.0 | 170.0 | 150.0 | 17.0 | 124.0 | 35.0 | 120 | - | EX300 | 22.9 | II |
| 9 | LA337 | LA 337 | 820210008 | 209.5 | 54.0 | 55.0 | 6.0 | 36.0 | 110.0 | 135.0 | - | 134 | 56.4 | PC75-1 | 8.0 | I |
| 10 | KT100 | - | 203-30-00150 | 199.5 | 123.5 | 70.0 | 116.0 | - | 14.0 | 110.0 | 42.0 | 164.5 | - | PC100-5 | 12.7 | II |
| 11 | KT1640 | KM 1640 | 20Y-30-00022 | 292.0 | 84.0 | - | - | 55.0 | 140.0 | 165.0 | - | 190.5 | 70 | PC200-5 | 20.0 | I |
| 12 | KT3542 | KM 3542 | 22U-30-00021 | 253.0 | 84.0 | 36.0 | 145.0 | 120.0 | 17.0 | 89.0 | 35.0 | 125 | - | PC200-7 | 16.5 | II |
| 13 | KT1817 | KM1817 | 207-30-00140 | 324.25 | 96.0 | - | - | 58.00 | 168.0 | 200.0 | - | 207.25 | 90.25 | PC300-5 PC400-5 | 32.2 | I |
| 14 | CT2881 | CR 2881 B | 1061-03680 9S3570 | 314.5 | 84.0 | 77.5 | 8.0 | 115.2 | 171.5 | 200.0 | - | 201.2 | 87 | SE210-2 D5B | 27.3 | I |
| 15 | VO2 | VO 2 | 1181-00020 | 333.0 | 84.0 | 98.4 | 8.0 | 57.2 | 140.0 | 170.0 | - | 228 | 110 | EC 210B LC | 24.1 | I |
| 16 | VO17 | VO 17 | 1181-01011 | 333.0 | 96.0 | 98.4 | 8.0 | 57.2 | 154.0 | 184.0 | - | 228 | 110 | EC280/290 | 27.8 | I |
| 17 | CT2650 | CR2650 | 9S2730 | 322.0 | 93.3 | 77.5 | 8.0 | 47.8 | 187.5 | 216.0 | - | 202.7 | 88 | D6D | 33.50 | I |
| 18 | CT4800 | CR4800 | 6Y1781 | 345.0 | 93.3 | 98.4 | 8.0 | 57.0 | 187.5 | 216.0 | - | 225.7 | 110 | D6H | 36.8 | I |
| 19 | KB118 | KM 118 | 141-30-00666 | 301.0 | 100.0 | 100.0 | 6.0 | 61.0 | 185.0 | 215.0 | - | 206 | 96 | D6S | 34.50 | I |
| 20 | KT2105 | KM2105 | 14X-30-00141 | 300.0 | 101.0 | - | - | 61.0 | 168.0 | 200.0 | - | 210 | 92 | D65EX-12 | 27.80 | I |
| 21 | CT2876 | CR 2876 | IP6717 | 350.0 | 96.0 | 98.40 | 8.0 | 57.0 | 191.0 | 220.0 | - | 219.2 | 100 | D7G | 35.50 | I |
| 22 | KT2279 | KM 2279 | 175-30-00517 | 425.00 | 120.0 | - | - | 68.0 | 190.0 | 220.0 | - | 273.5 | 132 | D155-1/3/5 | 48.70 | I |
| 23 | MT02 | - | - | 223.00 | 72.0 | - | - | 41.0 | 112.0 | 132.0 | - | 153 | 63 | BD2G | 11.40 | I |
| 24 | KT120 | KM120A | 154-30-00308 | 368.00 | 98.0 | 114.0 | 6.0 | 58.0 | 185.0 | 215.0 | - | 242 | 120 | D8S | 38.50 | I |
| 25 | CT5053 | CR5053 | 8E0400 | 398.00 | 96.0 | 106.0 | 8.0 | 73.2 | 190.0 | 220.0 | - | 153 | 128 | D6N | 45.50 | I |
| 26 | VO17 | VO17 | 1181-01011 | 333.00 | 96.0 | 98.4 | 8.0 | 57.2 | 154.0 | 184.0 | - | 131 | 110 | EC280 | 27.80 | I |
| 27 | CT3512 | CR3512A | 8P6256 | 398.00 | 120.0 | 101.6 | 8.0 | 66.7 | 190.0 | 220.0 | - | 259 | 122 | D8K | 43.50 | I |
| 28 | CT3609 | CR3002 | 6S3609 | 264.80 | 55.5 | 77.8 | 8.0 | 41.5 | 150.0 | 175.0 | - | 177.5 | 87.5 | D3C | 18.00 | I |
| 29 | CT2880 | CR2880 | 6K9880 | 264.00 | 70.0 | 77.8 | 8.0 | 41.5 | 150.0 | 175.0 | - | 178.5 | 87.5 | D4H | 18.00 | I |
| 30 | HT4209 | HT4209 | 9092400 | 235.00 | 98.0 | 57.0 | 140.0 | 120.0 | 17.0 | 124.0 | 35.0 | 120 | - | EX135 | 15.50 | II |
| 31 | KT 913 | KM 913 | 103-30-00011 | 192.00 | 43.0 | 72.0 | 130.0 | 110.0 | 11.0 | 124.0 | 50.0 | 100 | - | D20 | 11.00 | II |
| 32 | KT103 | KM103C | 131-30-00316 | 305.60 | 84.0 | 74.0 | 6.0 | 55.0 | 172.0 | 200.0 | - | 202.25 | 83 | D50 | 11.00 | I |
| 33 | CT0178 | - | 099-0178 | 228.50 | 68.00 | - | - | 41.00 | 112.00 | 132.00 | - | 158.5 | 70 | E120B | 10.90 | I |
| 34 | HT3724 | FT3724A | 9191054 | 235.00 | 98.00 | 57.00 | 140.00 | 120.00 | 17.00 | 124.00 | 35.00 | 120 | - | EX270-5 | 15.50 | II |
| 35 | KT2794 | FT3724A | 9191054 | 197.50 | - | 70.00 | - | 116.00 | 13.50 | 110.00 | 42.00 | 102.5 | - | PC100 | 12.50 | II |
| 36 | KT3856 | KM3856A | 207-30-00550 | 299.60 | 98.00 | - | - | 53.50 | 150.00 | 180.00 | - | 199.6 | 96.6 | PC300-8 | 25.80 | II |
| 37 | KT3059 | KM3059B | 21M-30-00202 | 340.00 | 123.00 | 100.00 | 212.00 | 180.00 | 22.00 | 160.00 | 70.00 | 175 | - | PC600-8 | 38.90 | II |

Disclaimer

1. Please note that all manufacturer's names, numbers, symbols and descriptions are used for reference purposes only and do not imply that any part listed is the product of these manufacturers. This guide is intended as a general quick reference source only.
 2. Whilst every effort has been made to ensure that the information contained in this catalogue is accurate at the time of publication, Triumphal Group recommends that you consult Triumphal Group prior to placing an order to ascertain current information on specific products, as Triumphal Group reserves the rights to make changes without prior notice. Triumphal Group will not be liable for any injury, loss or damage whatsoever, arising from any errors or omissions in the information contained in the catalogue or arising from the use or application of the information contained herein. This catalogue does not constitute an offer for the sale of any particular product.

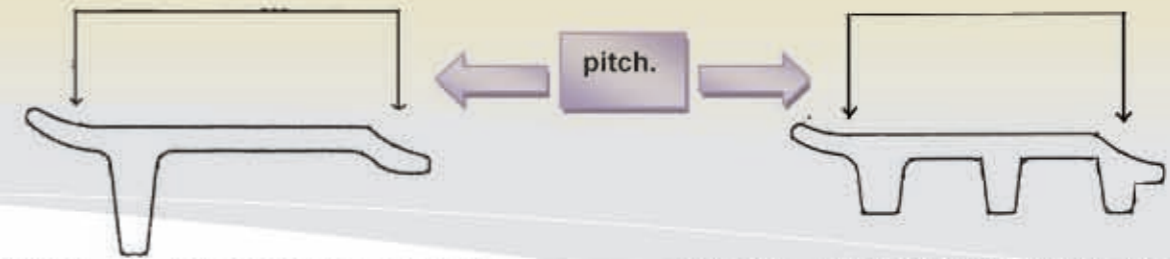
Track Shoe



Disclaimer

1. Please note that all manufacturer's names, numbers, symbols and descriptions are used for reference purposes only and do not imply that any part listed is the product of these manufacturers. This guide is intended as a general quick reference source only.
 2. Whilst every effort has been made to ensure that the information contained in this catalogue is accurate at the time of publication, Triumphal Group recommends that you consult Triumphal Group prior to placing an order to ascertain current information on specific products, as Triumphal Group reserves the rights to make changes without prior notice. Triumphal Group will not be liable for any injury, loss or damage whatsoever, arising from any errors or omissions in the information contained in the catalogue or arising from the use or application of the information contained herein. This catalogue does not constitute an offer for the sale of any particular product.

Material Profile



• T Type - Single Grouser for Bulldozer

• W Type - Triple Grouser for Excavator

| Profile | Type | Profile | Type | Profile | Type |
|-----------|----------------|-----------|----------------|-----------|----------------|
| T-125-075 | Single Grouser | W-135-060 | Triple Grouser | W-175-095 | Triple Grouser |
| T-171-120 | Single Grouser | W-140-090 | Triple Grouser | W-190-085 | Triple Grouser |
| T-190-130 | Single Grouser | W-154-060 | Triple Grouser | W-190-100 | Triple Grouser |
| T-203-120 | Single Grouser | W-160-080 | Triple Grouser | W-203-110 | Triple Grouser |
| T-203-140 | Single Grouser | W-160-100 | Triple Grouser | W-203-130 | Triple Grouser |
| T-216-140 | Single Grouser | W-171-090 | Triple Grouser | W-216-110 | Triple Grouser |
| T-228-170 | Single Grouser | W-175-080 | Triple Grouser | W-216-160 | Triple Grouser |

Chemical Composition

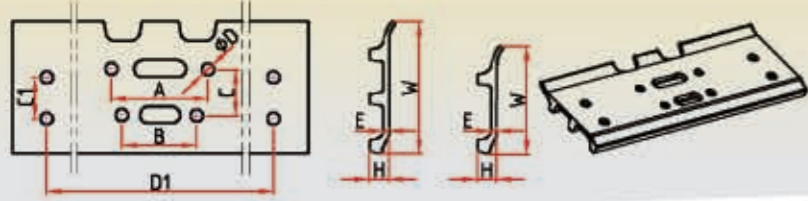
| Type | Chemical Composition | | | | | | | | | | |
|---------|----------------------|-----------|-----------|--------|--------|-----------|--------|--------|---------------|-------------|-----------|
| | C | Si | Mn | P | S | Cr | Ni | Cu | B | Ti | Als |
| 23MnBM | 0.20-0.27 | 0.15-0.30 | 0.80-1.10 | ≤0.030 | ≤0.015 | 0.10-0.20 | ≤0.015 | ≤0.016 | 0.0005-0.0030 | 0.010-0.050 | 0.01-0.07 |
| 25CrMnB | 0.23-0.28 | 0.15-0.35 | 1.10-1.40 | ≤0.030 | ≤0.030 | 0.20-0.50 | ≤0.030 | ≤0.016 | 0.0005-0.0030 | ≤0.065 | 0.01-0.07 |

Mechanical Properties

| Type 1 | Type 2 |
|--|---|
| 1. Tensile Strength: $\geq 1150\text{MPa}$ | 1. Tensile Strength : $\geq 1373\text{MPa}$ |
| 2. Elongation: $\geq 9\%$ (L = 5d) | 2. Elongation: $\geq 12\%$ (L = 5d) |
| 3. Hardness: HRC42-49 | 3. Hardness: HRC 42-49 |
| 4. Impact: | 4. Impact: |
| ■ $Ku \geq 50.0\text{J/cm}^2$ (10mm×10mm) | ■ $Ku \geq 58.80\text{ J/cm}^2$ (10mm×10mm) |
| ■ $Ku \geq 20.0\text{J/cm}^2$ (10mm×5mm) | ■ $Ku \geq 23.52\text{ J/cm}^2$ (10mm×5mm) |

Disclaimer

1. Please note that all manufacturer's names, numbers, symbols and descriptions are used for reference purposes only and do not imply that any part listed is the product of these manufacturers. This guide is intended as a general quick reference source only.
 2. Whilst every effort has been made to ensure that the information contained in this catalogue is accurate at the time of publication, Triumphal Group recommends that you consult Triumphal Group prior to placing an order to ascertain current information on specific products, as Triumphal Group reserves the rights to make changes without prior notice. Triumphal Group will not be liable for any injury, loss or damage whatsoever, arising from any errors or omissions in the information contained in the catalogue or arising from the use or application of the information contained herein. This catalogue does not constitute an offer for the sale of any particular product.



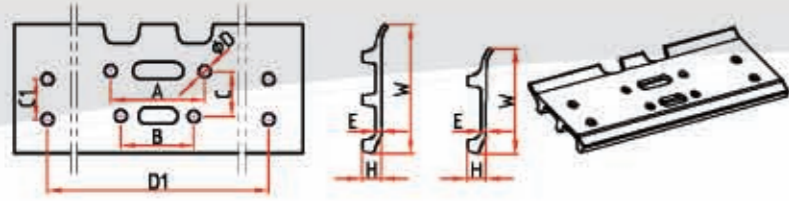
Bulldozer Track Shoe Dimensions

| 序 No | 产品编码 TPE No. | 柏可件号 BERCO No. | 原厂件号 OEM No. | 尺寸 Dimensions (mm) | | | | | | | | | | 适用机型 Suitable for: | 重量 (Kg) | |
|---------|------------------|-------------------|-------------------|--------------------|--------|--------|-------|-------|----|----|--------|--------|-------|-----------------------|------------|-------|
| | | | | P | A | B | C | D | C1 | D1 | L | W | H | | | E |
| 1 | CR2974/18 (120) | CR2974/18 | - | 171.00 | 107.95 | 107.95 | 60.33 | 16.30 | - | - | 450.00 | 199.60 | 62.00 | 12.00 | D4D | 11.40 |
| 2 | CR2974/20 (120) | CR2974/20 | - | 171.00 | 107.95 | 107.95 | 60.33 | 16.30 | - | - | 600.00 | 199.60 | 62.00 | 12.00 | D4D | 13.00 |
| 3 | CR3242/560 (120) | CR3242/560 | - | 171.00 | 144.46 | 125.41 | 58.74 | 16.30 | - | - | 560.00 | 199.60 | 62.00 | 12.00 | D5B | 14.30 |
| 4 | CR3242/460 (120) | CR3242/460 | - | 171.00 | 144.46 | 125.41 | 58.74 | 16.30 | - | - | 460.00 | 199.60 | 62.00 | 12.00 | D5B | 11.70 |
| 5 | CR3242/600 (120) | CR3242/600 | - | 171.00 | 144.46 | 125.41 | 58.74 | 16.30 | - | - | 560.00 | 199.60 | 62.00 | 12.00 | D5B | 15.30 |
| 6 | KM259/24 (120) | KM259/24 | - | 171.00 | 158.00 | 122.00 | 57.00 | 16.30 | - | - | 610.00 | 199.60 | 62.00 | 12.00 | D50 | 15.60 |
| 7 | KM259/22 (120) | KM259/22 | - | 171.00 | 158.00 | 122.00 | 57.00 | 16.30 | - | - | 560.00 | 199.60 | 62.00 | 12.00 | D50 | 14.30 |
| 8 | KM259/18 (120) | KM259/18 | - | 171.00 | 158.40 | 122.40 | 57.00 | 16.30 | - | - | 450.00 | 199.60 | 62.00 | 12.00 | D50 | 11.20 |
| 9 | CR4358/20 (120) | CR4358/20 | - | 171.00 | 144.00 | 103.80 | 57.00 | 17.10 | - | - | 510.00 | 199.60 | 62.00 | 12.00 | D4H | 13.10 |
| 10 | CR4358/22 (120) | CR4358/22 | - | 171.00 | 144.00 | 103.80 | 57.00 | 17.10 | - | - | 560.00 | 199.60 | 62.00 | 12.00 | D4H | 14.30 |
| 11 | CR5715/16 (120) | CR5715/16 | - | 171.00 | 144.00 | 103.80 | 57.00 | 17.10 | - | - | 410.00 | 199.60 | 62.00 | 12.00 | D4H | 10.40 |
| 12 | CR4392/560 (130) | CR4392/560 | - | 190.00 | 167.00 | 120.80 | 71.00 | 17.10 | - | - | 560.00 | 215.00 | 63.00 | 13.00 | D5H | 16.40 |
| 13 | KM1912/20 (120) | KM1912/20 | 144-32-11340 | 203.20 | 178.40 | 138.40 | 72.20 | 19.50 | - | - | 508.00 | 232.50 | 77.00 | 12.00 | D65 | 15.30 |
| 14 | KM1912/22 (120) | KM1912/22 | 144-32-11340 | 203.20 | 178.40 | 138.40 | 72.20 | 19.50 | - | - | 558.80 | 232.50 | 77.00 | 12.00 | D65 | 16.90 |
| 15 | KM1912/24 (120) | KM1912/24 | 144-32-11350 | 203.20 | 178.40 | 138.40 | 72.20 | 19.50 | - | - | 609.60 | 232.50 | 77.00 | 12.00 | D65 | 18.50 |
| 16 | CR3323/20 (120) | CR3323/20 | - | 203.20 | 158.80 | 134.70 | 44.45 | 20.50 | - | - | 510.00 | 232.50 | 77.00 | 12.00 | D6D | 15.30 |
| 17 | CR3323/22 (120) | CR3323/22 | - | 203.20 | 158.80 | 134.70 | 44.45 | 20.50 | - | - | 558.80 | 232.50 | 77.00 | 12.00 | D6D | 16.90 |
| 18 | KM2093/610 (120) | KM2093/610 | - | 203.20 | 178.40 | 138.40 | 72.20 | 20.50 | - | - | 610.00 | 232.50 | 77.00 | 12.00 | D65EX-12 | 18.50 |
| 19 | KM2093/510 (120) | KM2093/510 | - | 203.20 | 178.40 | 138.40 | 72.20 | 20.50 | - | - | 510.00 | 232.50 | 77.00 | 12.00 | D65EX-12 | 15.30 |
| 20 | CR5316/22 (120) | CR5316/22 | - | 203.20 | 158.75 | 134.70 | 44.45 | 20.50 | - | - | 560.00 | 232.20 | 77.00 | 12.00 | D6H | 16.90 |
| 21 | CR5315/20 (120) | CR5315/20 | 6Y6293 / 175-8369 | 203.20 | 171.45 | 133.35 | 76.20 | 19.50 | - | - | 510.00 | 232.50 | 77.00 | 12.00 | D6D | 15.30 |
| 22 | CR5315/22 (120) | CR5315/22 | 6Y6293 / 175-8369 | 203.20 | 171.45 | 133.35 | 76.20 | 19.50 | - | - | 558.80 | 232.50 | 77.00 | 12.00 | D6D | 16.90 |
| 23 | CR5315/24 (120) | CR5315/24 | 6Y6293 / 175-8370 | 203.20 | 171.45 | 133.35 | 76.20 | 19.50 | - | - | 610.00 | 232.50 | 77.00 | 12.00 | D6D | 18.50 |
| 24 | CR5320/20 (120) | CR5320/20 | - | 203.20 | 137.50 | 185.50 | 68.00 | 20.50 | - | - | 560.00 | 232.50 | 77.00 | 12.00 | D6H | 15.30 |
| 25 | CR5320/22 (120) | CR5320/22 | - | 203.20 | 137.50 | 185.50 | 68.00 | 20.50 | - | - | 560.00 | 232.50 | 77.00 | 12.00 | D6H | 16.90 |
| 26 | CR5320/24 (120) | CR5320/24 | - | 203.20 | 137.50 | 185.50 | 68.00 | 20.50 | - | - | 610.00 | 232.50 | 77.00 | 12.00 | D6H | 18.50 |
| 27 | KM1912/610 (140) | KM1912/610 | 144-32-11350 | 203.20 | 178.40 | 138.40 | 72.20 | 19.50 | - | - | 610.00 | 238.00 | 74.50 | 14.00 | D65 | 21.70 |
| 28 | T203140500A | - | - | 203.20 | 197.00 | 157.00 | 70.00 | 20.50 | - | - | 500.00 | 238.00 | 74.50 | 14.00 | - | 17.60 |
| 29 | KM2093/610 (140) | KM2093/510 | - | 203.20 | 178.40 | 138.40 | 72.20 | 20.50 | - | - | 610.00 | 238.00 | 74.50 | 14.00 | D65EX-12 | 18.00 |
| 30 | CR6083/22 (140) | - | - | 203.20 | 184.15 | 146.05 | 76.20 | 23.30 | - | - | 560.00 | 238.00 | 74.50 | 14.00 | - | 19.40 |

Disclaimer

1. Please note that all manufacturer's names, numbers, symbols and descriptions are used for reference purposes only and do not imply that any part listed is the product of these manufacturers. This guide is intended as a general quick reference source only.
2. Whilst every effort has been made to ensure that the information contained in this catalogue is accurate at the time of publication, Triumphal Group recommends that you consult Triumphal Group prior to placing an order to ascertain current information on specific products, as Triumphal Group reserves the rights to make changes without prior notice. Triumphal Group will not be liable for any injury, loss or damage whatsoever, arising from any errors or omissions in the information contained in the catalogue or arising from the use or application of the information contained herein. This catalogue does not constitute an offer for the sale of any particular product.

| 序 No | 产品编码 TPE No. | 柏可件号 BERCO No. | 原厂件号 OEM No. | 尺寸 Dimensions (mm) | | | | | | | | | | 适用机型 Suitable for: | 重量 (Kg) | |
|---------|------------------|---------------------|-----------------------|--------------------|--------|--------|-------|-------|----|----|--------|--------|-------|-----------------------|--------------------|-------|
| | | | | P | A | B | C | D | C1 | D1 | L | W | H | | | E |
| 31 | FT1102/22 (140) | FT1102/22 | 154-32-11113 | 216.00 | 184.15 | 146.05 | 76.20 | 20.50 | - | - | 560.00 | 245.00 | 86.00 | 14.30 | D75、D85 | 21.70 |
| 32 | FT1102/24 (140) | FT1102/24 | 154-32-11315 | 216.00 | 184.15 | 146.05 | 76.20 | 20.50 | - | - | 610.00 | 245.00 | 86.00 | 14.30 | D75、D85 | 23.70 |
| 33 | FT1102/26 (140) | FT1102/26 | 154-32-11315 | 216.00 | 184.15 | 146.05 | 76.20 | 20.50 | - | - | 660.00 | 245.00 | 86.00 | 14.30 | D75、D85 | 25.70 |
| 34 | CR4054/22 (140) | CR4054/22 | 7G6448 | 216.00 | 204.10 | 146.10 | 63.00 | 23.30 | - | - | 560.00 | 247.60 | 88.00 | 14.30 | D7R/D8L/N/R | 21.70 |
| 35 | CR4054/24 (140) | CR4054/24 | 9P2661 | 216.00 | 204.10 | 146.10 | 63.00 | 23.30 | - | - | 610.00 | 247.60 | 88.00 | 14.30 | D7R/D8L/N/R | 23.70 |
| 36 | CR4054/26 (140) | CR4054/26 | - | 216.00 | 204.10 | 146.10 | 63.00 | 23.30 | - | - | 660.00 | 247.60 | 88.00 | 14.30 | D7R/D8L/N/R | 25.70 |
| 37 | CR4137/22 (140) | CR4137/22 | 7G6447 | 216.00 | 204.10 | 146.10 | 63.00 | 23.50 | - | - | 560.00 | 247.60 | 88.00 | 14.30 | D7R/D8L/N/R | 21.70 |
| 38 | CR4137/24 (140) | CR4137/24 | 9P2662 | 216.00 | 204.10 | 146.10 | 63.00 | 23.50 | - | - | 610.00 | 247.60 | 88.00 | 14.30 | D7R/D8L/N/R | 23.70 |
| 39 | CR4137/26 (140) | CR4137/26 | - | 216.00 | 204.10 | 146.10 | 63.00 | 23.50 | - | - | 660.00 | 247.60 | 88.00 | 14.30 | D7R/D8L/N/R | 25.70 |
| 40 | CR2086/22 (140) | CR2086/22 | 1P9808 | 216.00 | 184.15 | 146.05 | 76.20 | 19.50 | - | - | 560.00 | 245.00 | 86.00 | 14.30 | D7E/G/977 | 21.70 |
| 41 | CR2086/24 (140) | CR2086/24 | 1P9809 , 154-32-11310 | 216.00 | 184.15 | 146.05 | 76.20 | 19.50 | - | - | 610.00 | 245.00 | 86.00 | 14.30 | D7E/G/977 /D85A-12 | 23.70 |
| 42 | CR2086/26 (140) | CR2086/26 | - | 216.00 | 184.15 | 146.05 | 76.20 | 19.50 | - | - | 660.00 | 245.00 | 86.00 | 14.30 | D7E/G/977 /D85A-12 | 25.70 |
| 43 | CR3166/22 (140) | CR3166/22 | 3P0616 , 175-8881 | 216.00 | 172.40 | 147.00 | 50.80 | 20.50 | - | - | 560.00 | 245.00 | 86.00 | 14.30 | D7G/977 | 21.70 |
| 44 | CR3166/24 (140) | CR3166/24 | 3P0617 , 188-5246 | 216.00 | 172.40 | 147.00 | 50.80 | 20.50 | - | - | 610.00 | 245.00 | 86.00 | 14.30 | D7E/G/977 | 23.70 |
| 45 | CR3166/26 (140) | CR3166/26 | 3P0618 , 188-5602 | 216.00 | 172.40 | 147.00 | 50.80 | 20.50 | - | - | 660.00 | 245.00 | 86.00 | 14.30 | D7G/977 | 25.70 |
| 46 | KM3912/560 (140) | KM3912/560 | - | 216.00 | 182.80 | 146.00 | 70.60 | 22.45 | - | - | 560.00 | 245.00 | 86.00 | 14.30 | D85EX-15 | 21.70 |
| 47 | CR4469/22 (140) | CR4469/22 | 9G2434 | 216.00 | 205.50 | 149.50 | 70.00 | 20.50 | - | - | 560.00 | 245.00 | 86.00 | 14.30 | D7H | 21.70 |
| 48 | CR4469/24 (140) | CR4469/24 | 9G2438 | 216.00 | 205.50 | 149.50 | 70.00 | 20.50 | - | - | 610.00 | 245.00 | 86.00 | 14.30 | D7H | 23.70 |
| 49 | CR4469/26 (140) | CR4469/26 | - | 216.00 | 205.50 | 149.50 | 70.00 | 20.50 | - | - | 660.00 | 245.00 | 86.00 | 14.30 | D7H | 25.70 |
| 50 | CR3167/24 (140) | CR3167/24 | - | 216.00 | 172.40 | 147.00 | 72.20 | 20.50 | - | - | 610.00 | 245.00 | 86.00 | 14.70 | D7E | 23.70 |
| 51 | KM2033/560 (170) | KM2033/560 | 170-32-11115 | 228.60 | 219.80 | 169.00 | 76.20 | 25.30 | - | - | 560.00 | 268.00 | 97.00 | 17.00 | D155A-1/2/3 | 27.60 |
| 52 | KM2033/610 (170) | KM2033/610 | 175-32-11113 | 228.60 | 219.80 | 169.00 | 76.20 | 25.30 | - | - | 610.00 | 268.00 | 97.00 | 17.00 | D155A-1/2/3 | 30.10 |
| 53 | KM2033/660 (170) | KM2033/660 | 175-32-11113 | 228.60 | 219.80 | 169.00 | 76.20 | 25.30 | - | - | 660.00 | 268.00 | 97.00 | 17.00 | D155A-1/2/3 | 32.60 |
| 54 | KM2033/710 (170) | KM2033/710 | 175-32-11113 | 228.60 | 219.80 | 169.00 | 76.20 | 25.30 | - | - | 710.00 | 268.00 | 97.00 | 17.00 | D155A-1/2/3 | 35.20 |
| 55 | CR2089/22 (170) | CR2089/22 CR7111/22 | 2S6345 | 228.60 | 201.61 | 169.86 | 76.20 | 23.30 | - | - | 560.00 | 268.00 | 97.00 | 17.00 | D8H/K | 27.40 |
| 56 | CR2089/24 (170) | CR2089/24 CR7111/24 | 2S6346 | 228.60 | 201.61 | 169.86 | 76.20 | 23.30 | - | - | 610.00 | 268.00 | 97.00 | 17.00 | D8H/K | 30.00 |
| 57 | CR2089/26 (170) | CR2089/26 CR7111/26 | 2S6346 | 228.60 | 201.61 | 169.86 | 76.20 | 23.30 | - | - | 660.00 | 268.00 | 97.00 | 17.00 | D8H/K | 32.50 |
| 58 | CR2089/28 (170) | CR2089/28 CR7111/28 | 2S6346 | 228.60 | 201.61 | 169.86 | 76.20 | 23.30 | - | - | 710.00 | 268.00 | 97.00 | 17.00 | D8H/K | 35.00 |
| 59 | CR2706/22 (170) | CR2706/22 CR7112/22 | 8S0385 | 228.60 | 209.55 | 178.56 | 50.80 | 23.30 | - | - | 560.00 | 268.00 | 94.00 | 17.00 | D8H/K | 27.40 |
| 60 | CR2706/24 (170) | CR2706/24 CR7112/24 | 8S0386 , 188-5312 | 228.60 | 209.55 | 178.56 | 50.80 | 23.30 | - | - | 610.00 | 268.00 | 94.00 | 17.00 | D8H/K | 30.00 |
| 61 | CR2706/26 (170) | CR2706/26 CR7112/26 | 8S0386 , 188-5312 | 228.60 | 209.55 | 178.56 | 50.80 | 23.30 | - | - | 660.00 | 268.00 | 94.00 | 17.00 | D8H/K | 32.50 |
| 62 | CR2706/28 (170) | CR2706/28 CR7112/28 | 8S0386 , 188-5312 | 228.60 | 209.55 | 178.56 | 50.80 | 23.30 | - | - | 710.00 | 268.00 | 94.00 | 17.00 | D8H/K | 35.00 |
| 63 | CR4035/22 (170) | CR4035/22 | 3T2758 | 228.60 | 235.02 | 169.02 | 63.50 | 26.40 | - | - | 560.00 | 268.00 | 96.50 | 17.00 | D9L | 27.40 |
| 64 | CR4035/24 (170) | CR4035/24 | 3T2758 | 228.60 | 235.02 | 169.02 | 63.50 | 26.40 | - | - | 610.00 | 268.00 | 96.50 | 17.00 | D9L | 30.00 |
| 65 | CR2248/22 (170) | CR2248/22 | - | 228.60 | 201.51 | 169.85 | 76.20 | 23.30 | | | | | | | | |

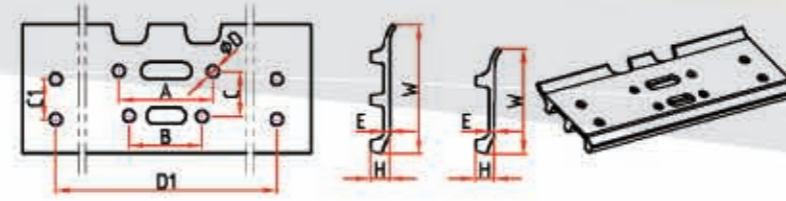


Excavator Track Shoe Dimensions

| 序 No | 产品编码 TPE No. | 柏可件号 BERCO No. | 原厂件号 OEM No. | 尺寸 Dimensions (mm) | | | | | | | | | | | 适用机型 Suitable for: | 重量 (Kg) |
|------|------------------------|-------------------|-----------------|--------------------|--------|--------|-------|-------|----|----|--------|--------|-------|-------|-----------------------|------------|
| | | | | P | A | B | C | D | C1 | D1 | L | W | H | E | | |
| 1 | KM908/260(060) | KM908/260 | - | 135.00 | 99.00 | 72.00 | 43.50 | 13.10 | - | - | 260.00 | 154.00 | 20.00 | 6.00 | D20 | 2.66 |
| 2 | KM908/340(060) | KM908/340 | - | 135.00 | 99.00 | 72.00 | 43.50 | 13.10 | - | - | 340.00 | 154.00 | 20.00 | 6.00 | D20 | 3.60 |
| 3 | KM908/400(060) | KM908/400 | - | 135.00 | 99.00 | 72.00 | 43.50 | 13.10 | - | - | 400.00 | 154.00 | 20.00 | 6.00 | PC80-5 | 4.20 |
| 4 | KM908/450(060) | KM908/450 | - | 135.00 | 99.00 | 72.00 | 43.40 | 13.10 | - | - | 450.00 | 154.00 | 20.00 | 6.00 | PC80-5 | 4.75 |
| 5 | KM908A/400(060) | KM908A/400 | - | 135.00 | 99.00 | 72.00 | 43.40 | 12.30 | - | - | 400.00 | 154.00 | 20.00 | 6.00 | PC80-5 | 4.20 |
| 6 | W135080400A | - | - | 135.00 | 94.00 | 64.00 | 46.00 | 12.20 | - | - | 400.00 | 154.00 | 20.00 | 6.00 | PC40-7 | 4.20 |
| 7 | W135060400B | - | - | 135.00 | 104.00 | 80.00 | 46.00 | 12.30 | - | - | 400.00 | 154.00 | 20.00 | 6.00 | R60 | 4.20 |
| 8 | W135080400C | - | - | 135.00 | 104.00 | 80.00 | 46.00 | 13.20 | - | - | 400.00 | 154.00 | 20.00 | 6.00 | R60 | 4.20 |
| 9 | W135080450A | - | - | 135.00 | 104.00 | 80.00 | 46.00 | 12.30 | - | - | 450.00 | 154.00 | 20.00 | 6.00 | R60 | 4.20 |
| 10 | C16020600023/400(80) | - | - | 135.00 | 104.00 | 80.00 | 43.40 | 12.30 | - | - | 400.00 | 154.00 | 20.00 | 6.00 | PC80-5 | 4.20 |
| 11 | W140090350A | - | - | 140.00 | 86.00 | 86.00 | 52.00 | 13.10 | - | - | 350.00 | 163.00 | 27.00 | 9.00 | - | 5.80 |
| 12 | W140090300A | - | - | 140.00 | 86.00 | 86.00 | 52.00 | 13.10 | - | - | 300.00 | 163.00 | 27.00 | 9.00 | - | 5.00 |
| 13 | W140090400A | - | - | 140.00 | 86.00 | 86.00 | 52.00 | 13.10 | - | - | 400.00 | 163.00 | 27.00 | 9.00 | - | 6.70 |
| 14 | KM1685/450(060) | - | - | 154.00 | 88.90 | 73.00 | 57.00 | 14.30 | - | - | 450.00 | 166.00 | 26.00 | 6.00 | PC80-6 | 6.20 |
| 15 | KM276/450(060) | - | - | 154.00 | 112.40 | 82.40 | 57.00 | 14.50 | - | - | 450.00 | 166.00 | 26.00 | 6.00 | PC80-1/2/3 | 6.30 |
| 16 | CR3656/356(060) | CR3656/356 | - | 154.00 | 104.78 | 88.90 | 54.80 | 14.70 | - | - | 356.00 | 166.00 | 26.00 | 6.00 | 931C/935 | 4.90 |
| 17 | LH3A/295(060) | LH3A/292 | - | 154.00 | 88.90 | 88.90 | 57.51 | 13.00 | - | - | 295.00 | 166.00 | 26.00 | 6.00 | - | 4.00 |
| 18 | LH3A/305(060) | LH3A/305 | - | 154.00 | 88.90 | 88.90 | 57.51 | 13.00 | - | - | 305.00 | 166.00 | 26.00 | 6.00 | - | 4.20 |
| 19 | W154060450A | - | - | 154.00 | 82.20 | 112.40 | 57.00 | 14.40 | - | - | 450.00 | 166.00 | 26.00 | 6.00 | - | 6.30 |
| 20 | CR3625/356(060) | - | - | 154.00 | 85.85 | 97.28 | 38.60 | 14.70 | - | - | 356.00 | 166.00 | 26.00 | 6.00 | - | 4.90 |
| 21 | C160206000127/450(060) | - | - | 154.00 | 73.00 | 89.00 | 57.00 | 14.30 | - | - | 450.00 | 166.00 | 26.00 | 6.00 | - | 6.30 |
| 22 | W160080500A | - | - | 160.00 | 99.00 | 99.00 | 56.00 | 14.70 | - | - | 500.00 | 187.00 | 26.00 | 8.00 | - | 9.30 |
| 23 | FT1240/22(100) | - | - | 160.00 | 99.00 | 99.00 | 56.00 | 14.70 | - | - | 560.00 | 187.00 | 28.00 | 10.00 | - | 11.90 |
| 24 | CR4835/500(080) | CR4835/500 | - | 175.50 | 107.95 | 107.95 | 60.33 | 16.30 | - | - | 500.00 | 203.00 | 32.00 | 8.00 | EX100,120 | 11.30 |
| 25 | CR4835/600(080) | CR4835/600 | - | 175.50 | 107.95 | 107.95 | 60.33 | 16.30 | - | - | 600.00 | 203.00 | 32.00 | 8.00 | EX100,120 | 13.62 |
| 26 | CR4835/700(080) | CR4835/700 | - | 175.50 | 107.95 | 107.95 | 60.33 | 16.30 | - | - | 700.00 | 203.00 | 32.00 | 8.00 | EX100,120 | 16.00 |
| 27 | HT20/600(080) | HT20/600 | - | 175.50 | 144.46 | 125.41 | 58.74 | 18.40 | - | - | 600.00 | 203.00 | 32.00 | 8.00 | EX200 | 13.60 |
| 28 | HT20/700(080) | HT20/600 | - | 175.50 | 144.46 | 125.41 | 58.74 | 18.40 | - | - | 700.00 | 203.00 | 32.00 | 8.00 | EX200 | 15.90 |
| 29 | HT20/800(080) | HT20/800 | - | 175.50 | 144.46 | 125.41 | 58.74 | 18.40 | - | - | 800.00 | 203.00 | 32.00 | 8.00 | EX200 | 18.30 |
| 30 | CR3229/600(080) | CR3229/600 | - | 175.50 | 145.46 | 126.41 | 59.74 | 16.30 | - | - | 600.00 | 203.00 | 32.00 | 8.00 | K907/B/C | 13.60 |

Disclaimer

1. Please note that all manufacturer's names, numbers, symbols and descriptions are used for reference purposes only and do not imply that any part listed is the product of these manufacturers. This guide is intended as a general quick reference source only.
2. Whilst every effort has been made to ensure that the information contained in this catalogue is accurate at the time of publication, Triumphal Group recommends that you consult Triumphal Group prior to placing an order to ascertain current information on specific products, as Triumphal Group reserves the rights to make changes without prior notice. Triumphal Group will not be liable for any injury, loss or damage whatsoever, arising from any errors or omissions in the information contained in the catalogue or arising from the use or application of the information contained herein. This catalogue does not constitute an offer for the sale of any particular product.

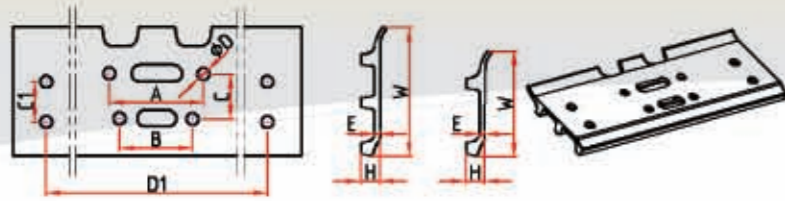


Excavator Track Shoe Dimensions

| 序 No | 产品编码 TPE No. | 柏可件号 BERCO No. | 原厂件号 OEM No. | 尺寸 Dimensions (mm) | | | | | | | | | | | 适用机型 Suitable for: | 重量 (Kg) |
|------|--------------------|--------------------|----------------------------|--------------------|--------|--------|-------|-------|----|----|--------|--------|-------|-------|-----------------------|------------|
| | | | | P | A | B | C | D | C1 | D1 | L | W | H | E | | |
| 31 | CR3229/800(080) | CR3229/800 | - | 175.50 | 145.46 | 126.41 | 59.74 | 16.30 | - | - | 800.00 | 203.00 | 32.00 | 8.00 | K907/B/C | 18.30 |
| 32 | W175080700A | - | - | 175.50 | 158.40 | 122.40 | 57.00 | 18.50 | - | - | 700.00 | 203.00 | 32.00 | 8.00 | - | 15.80 |
| 33 | W175080601A | - | - | 175.50 | 158.40 | 122.40 | 57.00 | 18.50 | - | - | 600.00 | 203.00 | 32.00 | 8.00 | - | 13.60 |
| 34 | W175080800A | - | - | 175.50 | 158.40 | 122.40 | 57.00 | 18.50 | - | - | 800.00 | 203.00 | 32.00 | 8.00 | - | 18.30 |
| 35 | HT428/500(080) | - | - | 175.50 | 110.96 | 130.00 | 58.74 | 16.10 | - | - | 500.00 | 203.00 | 32.00 | 8.00 | - | 11.30 |
| 36 | KM1263/500(080) | - | - | 175.50 | 86.40 | 102.40 | 57.00 | 16.30 | - | - | 500.00 | 203.00 | 32.00 | 8.00 | - | 11.30 |
| 37 | KM1263/600(080) | - | - | 175.50 | 86.40 | 102.40 | 57.00 | 16.30 | - | - | 600.00 | 203.00 | 32.00 | 8.00 | - | 13.60 |
| 38 | CR3229-800(085) | - | - | 175.50 | 144.46 | 125.41 | 58.74 | 16.30 | - | - | 800.00 | 198.40 | 23.00 | 9.50 | - | 19.70 |
| 39 | ID824/500(085) | ID824/500 | 2030005 2017551 | 190.00 | 160.40 | 124.40 | 62.00 | 20.40 | - | - | 500.00 | 219.00 | 34.50 | 8.50 | PC200-5, EX220 | 12.50 |
| 40 | ID824/600(085) | ID824/600 | 2030005 2017551 | 190.00 | 160.40 | 124.40 | 62.00 | 20.40 | - | - | 600.00 | 219.00 | 34.50 | 8.50 | PC200-5, EX220 | 15.00 |
| 41 | ID824/700(085) | ID824/700 | - | 190.00 | 160.40 | 124.40 | 62.00 | 20.40 | - | - | 800.00 | 219.00 | 34.50 | 8.50 | PC200-5, EX219 | 17.60 |
| 42 | ID824/800(085) | ID824/800 | 21K-32-21630 1082-02410 | 190.00 | 160.40 | 124.40 | 62.00 | 20.40 | - | - | 800.00 | 219.00 | 34.50 | 8.50 | PC200-5, EX220 | 20.30 |
| 43 | CR5361/600(085) | CR5361/600 | 121-0134 | 190.00 | 155.60 | 119.60 | 69.00 | 21.20 | - | - | 600.00 | 219.00 | 34.50 | 8.50 | Cat 320 | 15.00 |
| 44 | CR5361/800(085) | CR5361/800 | 161-6304 | 190.00 | 155.60 | 119.60 | 69.00 | 21.20 | - | - | 800.00 | 219.00 | 34.50 | 8.50 | Cat 320 | 20.30 |
| 45 | HT298/600(085) | HT298/600 | - | 190.00 | 160.40 | 124.40 | 62.00 | 18.40 | - | - | 600.00 | 219.00 | 34.50 | 8.50 | EX200-5 | 15.10 |
| 46 | HT298/800(085) | HT298/800 | - | 190.00 | 160.40 | 124.40 | 62.00 | 18.40 | - | - | 800.00 | 219.00 | 34.50 | 8.50 | EX200-5 | 20.30 |
| 47 | KM1080/800(085) | - | - | 190.00 | 160.40 | 124.40 | 62.00 | 18.00 | - | - | 800.00 | 219.00 | 34.50 | 8.50 | EX200-5 | 20.30 |
| 48 | KM1080/600(085) | - | - | 190.00 | 160.40 | 124.40 | 62.00 | 18.00 | - | - | 600.00 | 219.00 | 34.50 | 8.50 | EX200-5 | 15.00 |
| 49 | CR5361/600(085)-CL | CR5361/600(085)-CL | 121-0134 | 190.00 | 155.60 | 119.60 | 69.00 | 21.20 | - | - | 600.00 | 219.00 | 34.50 | 8.50 | Cat 320 | 15.00 |
| 50 | ID824/600(085)-CL | ID824/600-CL | 2030005 2017551 | 190.00 | 160.40 | 124.40 | 62.00 | 20.50 | - | - | 600.00 | 219.00 | 34.50 | 8.50 | PC200-5, EX220 | 15.00 |
| 51 | HT298/600(085)-CL | HT298/600-CL | - | 190.00 | 160.40 | 124.40 | 62.00 | 18.40 | - | - | 600.00 | 219.00 | 34.50 | 8.50 | EX200-5 | 15.10 |
| 52 | KB97/600(100) | KB/600 | - | 190.00 | 155.60 | 119.60 | 69.00 | 21.20 | - | - | 600.00 | 219.00 | 34.50 | 10.00 | - | 15.90 |
| 53 | HT298/800(100) | HT298/800 | - | 190.00 | 160.40 | 124.40 | 62.00 | 18.40 | - | - | 800.00 | 219.00 | 36.00 | 10.00 | EX200-3 | 21.80 |
| 54 | ID824/500(100) | ID824/500 | 20Y-32-21110 | 190.00 | 160.40 | 124.40 | 62.00 | 20.40 | - | - | 500.00 | 219.00 | 36.00 | 10.00 | PC200-5, EX220 | 13.40 |
| 55 | ID824/600(100) | ID824/600 | 20Y-32-21110 | 190.00 | 160.40 | 124.40 | 62.00 | 20.40 | - | - | 600.00 | 219.00 | 36.00 | 10.00 | PC200-5, EX220 | 16.10 |
| 56 | ID824/800(100) | ID824/800 | 20Y-32-77320 | 190.00 | 160.40 | 124.40 | 62.00 | 20.40 | - | - | 800.00 | 219.00 | 36.00 | 10.00 | PC200-5, EX220 | 21.60 |
| 57 | CR5361/600(100) | CR5361/600 | 2415N376 | 190.00 | 155.60 | 119.60 | 69.00 | 21.20 | - | - | 600.00 | 219.00 | 36.00 | 10.00 | SK200 | 16.10 |
| 58 | CR5361/800(100) | CR5361/800 | 2415N364 | 190.00 | 155.60 | 119.60 | 69.00 | 21.20 | - | - | 800.00 | 219.00 | 36.00 | 10.00 | SK200 | 21.60 |
| 59 | CR5499/600(110) | CR5499/600 | - | 203.00 | 179.00 | 129.00 | 72.00 | 20.20 | - | - | 600.00 | 236.00 | 41.00 | 11.00 | 325.0 | 20.20 |
| 60 | KM1643/600(110) | KM1643/600 | 207-32-51110 | 203.00 | 178.00 | 138.00 | 72.20 | 22.50 | - | - | 600.00 | 236.00 | 39.00 | 11.00 | PC300-5 | 19.20 |

Disclaimer

1. Please note that all manufacturer's names, numbers, symbols and descriptions are used for reference purposes only and do not imply that any part listed is the product of these manufacturers. This guide is intended as a general quick reference source only.
2. Whilst every effort has been made to ensure that the information contained in this catalogue is accurate at the time of publication, Triumphal Group recommends that you consult Triumphal Group prior to placing an order to ascertain current information on specific products, as Triumphal Group reserves the rights to make changes without prior notice. Triumphal Group will not be liable for any injury, loss or damage whatsoever, arising from any errors or omissions in the information contained in the catalogue or arising from the use or application of the information contained herein. This catalogue does not constitute an offer for the sale of any particular product.



Excavator Track Shoe Dimensions

| 序 No | 产品编码 TPE No. | 柏可件号 BERCO No. | 原厂件号 OEM No. | 尺寸 Dimensions (mm) | | | | | | | | | | | 适用机型 Suitable for: | 重量 (Kg) |
|------|-------------------|-------------------|---------------------------|--------------------|--------|--------|-------|-------|----|----|--------|--------|-------|-------|-----------------------|------------|
| | | | | P | A | B | C | D | C1 | D1 | L | W | H | E | | |
| 61 | KM1643/800(110) | KM1643/800 | 207-32-51330 | 203.00 | 178.00 | 138.00 | 72.20 | 22.50 | - | - | 800.00 | 236.00 | 39.00 | 11.00 | PC300-5 | 25.90 |
| 62 | KM971/800(110) | KM971/800 | 207-32-11162 81E5-2502 | 203.00 | 178.00 | 138.00 | 72.20 | 20.50 | - | - | 800.00 | 236.00 | 39.00 | 11.00 | PC300 | 19.20 |
| 63 | KM971/800(110) | KM971/800 | 207-32-11182 81E5-2508 | 203.00 | 178.00 | 138.00 | 72.20 | 20.50 | - | - | 800.00 | 236.00 | 39.00 | 11.00 | PC300 | 25.90 |
| 64 | KM971/800(130) | KM971/800 | 093-1951 | 203.00 | 178.00 | 138.00 | 72.20 | 20.50 | - | - | 800.00 | 236.00 | 41.00 | 13.00 | EX300 | 21.20 |
| 65 | KM971/800(130) | KM971/800 | 093-1952 | 203.00 | 178.00 | 138.00 | 72.20 | 20.50 | - | - | 800.00 | 236.00 | 41.00 | 13.00 | EX300 | 28.70 |
| 66 | KM1643/800 (130) | KM1643/800 | - | 203.00 | 178.00 | 138.00 | 72.20 | 22.50 | - | - | 800.00 | 236.00 | 41.00 | 13.00 | PC300-5 | 21.20 |
| 67 | KM1643/800 (130) | KM1643/800 | - | 203.00 | 178.00 | 138.00 | 72.20 | 22.50 | - | - | 800.00 | 236.00 | 41.00 | 13.00 | PC300-5 | 28.70 |
| 68 | CR5499/800 (130) | CR5499/800 | - | 203.00 | 179.00 | 129.00 | 72.00 | 20.20 | - | - | 800.00 | 236.00 | 41.00 | 13.00 | PC300-5 | 21.20 |
| 69 | CR5499/800 (130) | CR5499/800 | - | 203.00 | 179.00 | 129.00 | 72.00 | 20.20 | - | - | 800.00 | 236.00 | 41.00 | 13.00 | PC300-5 | 28.70 |
| 70 | C3KM971/800(130) | - | - | 203.00 | 178.00 | 138.00 | 72.20 | 20.50 | - | - | 800.00 | 236.00 | 41.00 | 13.00 | PC300-5 | 28.70 |
| 71 | CR4840/800 (110) | CR4840/800 | - | 216.00 | 184.15 | 146.05 | 76.20 | 23.30 | - | - | 800.00 | 250.00 | 41.00 | 11.00 | EX400 | 21.10 |
| 72 | CR4840A/800(110) | CR4840A/800 | - | 216.00 | 184.15 | 146.05 | 76.20 | 22.50 | - | - | 800.00 | 250.00 | 41.00 | 11.00 | EX400 | 21.10 |
| 73 | CR5929/800 (110) | CR5929/800 | - | 216.00 | 190.00 | 140.00 | 76.00 | 23.30 | - | - | 800.00 | 250.00 | 41.00 | 11.00 | SK330 | 21.20 |
| 74 | CR5929/800 (110) | CR5929/800 | - | 216.00 | 190.00 | 140.00 | 76.00 | 23.30 | - | - | 800.00 | 250.00 | 41.00 | 11.00 | SK330 | 28.50 |
| 75 | SI653/800 (110) | SI653/800 | - | 216.00 | 184.15 | 146.05 | 76.20 | 24.40 | - | - | 800.00 | 250.00 | 41.00 | 11.00 | EX400-5 | 21.10 |
| 76 | KM2118/800 (110) | KM2118/800 | 207-32-61110 | 216.00 | 178.40 | 140.40 | 76.20 | 22.45 | - | - | 800.00 | 250.00 | 41.00 | 11.00 | PC300-6 | 21.10 |
| 77 | KM2118/800 (110) | KM2118/800 | 2051065 207-32-61320 | 216.00 | 178.40 | 140.40 | 76.20 | 22.45 | - | - | 800.00 | 250.00 | 41.00 | 11.00 | PC300-6 | 28.50 |
| 78 | I6SA139A/800(110) | I6SA139A/800 | | 216.00 | 178.40 | 140.40 | 76.20 | 22.45 | - | - | 800.00 | 250.00 | 41.00 | 11.00 | PC300-6 | 20.50 |
| 79 | I6SA139A/800(110) | I6SA139A/800 | | 216.00 | 178.40 | 140.40 | 76.20 | 22.45 | - | - | 800.00 | 250.00 | 41.00 | 11.00 | PC300-6 | 20.50 |
| 80 | CR4840/800(130) | CR4840/800 | | 216.00 | 184.15 | 146.05 | 76.20 | 23.30 | - | - | 800.00 | 247.00 | 49.00 | 13.00 | PC400-5 | 25.50 |
| 81 | CR5929/800(130) | CR5929/800 | | 216.00 | 190.00 | 140.00 | 76.00 | 23.30 | - | - | 800.00 | 247.00 | 49.00 | 13.00 | PC400-5 | 34.40 |
| 82 | SI653/800 (130) | SI653/800 | | 216.00 | 184.15 | 146.05 | 76.20 | 24.40 | - | - | 800.00 | 247.00 | 49.00 | 13.00 | PC400-5 | 25.50 |
| 83 | CR5957/800 (1380) | CR5957/800 | | 216.00 | 190.00 | 140.00 | 76.00 | 23.30 | - | - | 800.00 | 247.00 | 52.00 | 16.00 | | 27.80 |

Disclaimer

1. Please note that all manufacturer's names, numbers, symbols and descriptions are used for reference purposes only and do not imply that any part listed is the product of these manufacturers. This guide is intended as a general quick reference source only.
2. Whilst every effort has been made to ensure that the information contained in this catalogue is accurate at the time of publication, Triumphal Group recommends that you consult Triumphal Group prior to placing an order to ascertain current information on specific products, as Triumphal Group reserves the rights to make changes without prior notice. Triumphal Group will not be liable for any injury, loss or damage whatsoever, arising from any errors or omissions in the information contained in the catalogue or arising from the use or application of the information contained herein. This catalogue does not constitute an offer for the sale of any particular product.

Duraseal®

Lifetime Floating Seal

Floating Seal



Disclaimer

1. Please note that all manufacturer's names, numbers, symbols and descriptions are used for reference purposes only and do not imply that any part listed is the product of these manufacturers. This guide is intended as a general quick reference source only.
2. Whilst every effort has been made to ensure that the information contained in this catalogue is accurate at the time of publication, Triumphal Group recommends that you consult Triumphal Group prior to placing an order to ascertain current information on specific products, as Triumphal Group reserves the rights to make changes without prior notice. Triumphal Group will not be liable for any injury, loss or damage whatsoever, arising from any errors or omissions in the information contained in the catalogue or arising from the use or application of the information contained herein. This catalogue does not constitute an offer for the sale of any particular product.

Material Profile



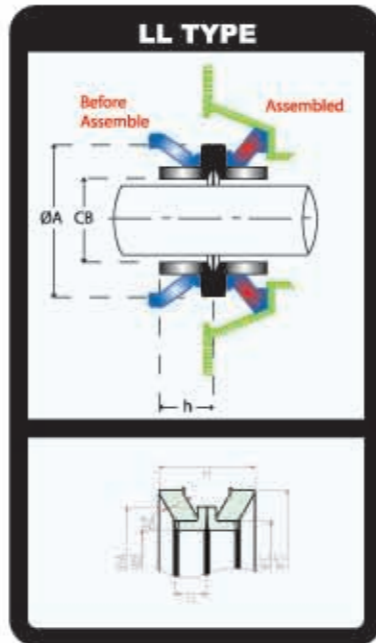
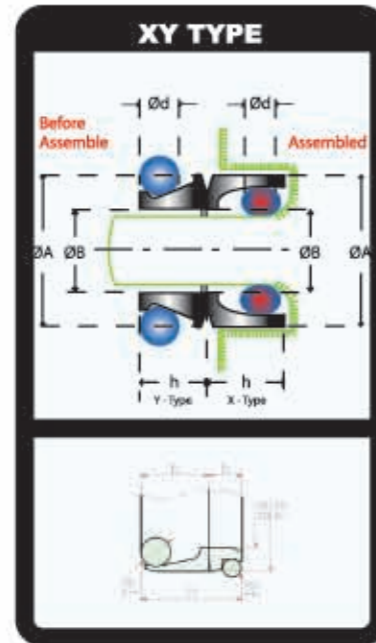
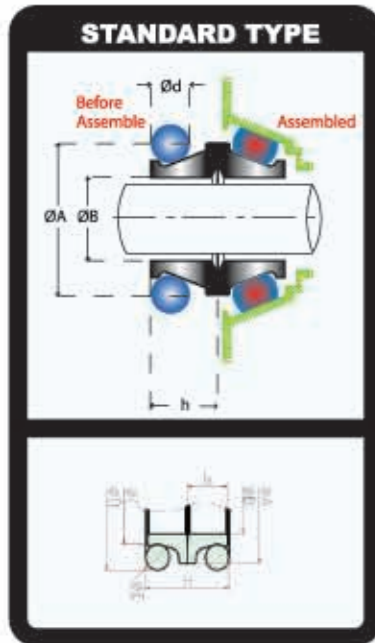
Standard Type



XY Type



LL Type



Disclaimer

1. Please note that all manufacturer's names, numbers, symbols and descriptions are used for reference purposes only and do not imply that any part listed is the product of these manufacturers. This guide is intended as a general quick reference source only.
 2. Whilst every effort has been made to ensure that the information contained in this catalogue is accurate at the time of publication, Triumphal Group recommends that you consult Triumphal Group prior to placing an order to ascertain current information on specific products, as Triumphal Group reserves the rights to make changes without prior notice. Triumphal Group will not be liable for any injury, loss or damage whatsoever, arising from any errors or omissions in the information contained in the catalogue or arising from the use or application of the information contained herein. This catalogue does not constitute an offer for the sale of any particular product.

Floating Seal Dimensions



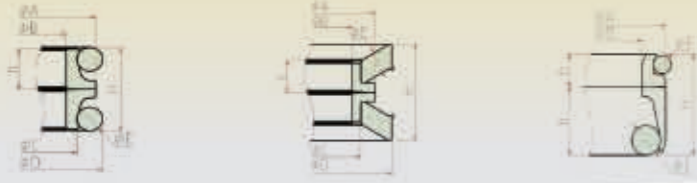
| 产品编号 Product Code | 浮动油封环尺寸 Alloy Iron Dimensions (mm) | | | 胶圈尺寸 Rubber Ring Dimensions (mm) | | 组合尺寸 Assembled Dimensions(mm) | |
|----------------------|---------------------------------------|-------------------------|-----------------|-------------------------------------|-------------------------------|----------------------------------|-------------------|
| | 外径 Outer Diameter(A) | 内径 Inner Diameter(B) | 高度 Height(H) | 内径 Inner Diameter(C) | 截面尺寸 Sectional Diameter(E) | 组合外径 Outer Diameter(D) | 组合高度 Height(H) |
| SC0380 | 50.60 | 38.00 | 10.60 | 41.00 | 6.00 | 54.20 | 23.70 |
| SC0390 | 50.00 | 39.00 | 7.00 | 43.00 | 4.00 | 52.00 | 15.30 |
| SC0430 | 58.00 | 43.00 | 12.00 | 46.00 | 7.20 | 62.60 | 25.60 |
| SC0450 | 58.00 | 45.00 | 10.50 | 48.40 | 6.00 | 61.60 | 22.35 |
| SC0460 | 59.00 | 46.00 | 10.00 | 48.00 | 6.10 | 63.00 | 21.39 |
| SC0480 | 62.00 | 48.00 | 12.20 | 52.00 | 7.60 | 68.70 | 27.30 |
| SC0510 | 65.00 | 51.00 | 13.50 | 55.50 | 6.00 | 68.60 | 27.20 |
| SC0540 | 68.00 | 54.00 | 12.20 | 58.40 | 6.90 | 72.80 | 24.70 |
| SC0560 | 70.00 | 56.00 | 12.50 | 60.80 | 7.60 | 76.30 | 27.10 |
| SC0560A | 70.00 | 56.00 | 13.15 | 60.00 | 7.70 | 76.00 | 28.00 |
| SC0580 | 74.30 | 58.00 | 14.50 | 61.00 | 8.00 | 79.70 | 30.60 |
| SC0580A | 77.00 | 58.00 | 18.00 | 61.50 | 9.50 | 82.10 | 38.50 |
| SC0580B | 75.00 | 58.00 | 13.50 | 61.50 | 8.50 | 79.28 | 29.17 |
| SC0635 | 82.50 | 63.50 | 16.00 | 66.00 | 9.50 | 87.20 | 35.00 |
| SC0635A | 82.50 | 63.50 | 16.00 | 67.00 | 8.50 | 86.30 | 34.50 |
| SC0640 | 78.00 | 64.00 | 12.60 | 67.00 | 8.00 | 85.00 | 27.00 |
| SC0690 | 84.00 | 68.80 | 12.20 | 73.50 | 7.80 | 89.80 | 26.30 |
| SC0690A | 84.00 | 69.00 | 12.00 | 74.50 | 7.45 | 89.70 | 25.40 |
| SC0710 | 90.00 | 71.70 | 14.50 | 76.50 | 9.00 | 95.60 | 32.70 |
| SC0710B | 84.00 | 71.00 | 10.00 | 72.40 | 6.60 | 88.20 | 21.30 |
| SC0730 | 92.00 | 73.00 | 16.00 | 76.00 | 9.50 | 96.90 | 34.00 |
| SC0730A | 88.50 | 73.00 | 13.00 | 76.00 | 9.50 | 97.20 | 26.90 |
| SC0730B | 92.00 | 73.00 | 15.75 | 75.70 | 9.50 | 96.50 | 34.80 |
| SC0733 | 88.30 | 73.30 | 10.00 | 77.00 | 6.00 | 90.70 | 21.60 |
| SC0737 | 86.80 | 73.70 | 10.75 | 75.80 | 7.00 | 91.90 | 23.80 |
| SC0770 | 93.30 | 77.00 | 14.50 | 80.00 | 9.30 | 101.05 | 32.70 |
| SC0770A | 87.00 | 77.00 | 7.00 | 78.00 | 4.30 | 90.70 | 14.30 |
| SC0770T | 87.00 | 77.00 | 6.85 | 80.00 | 4.50 | 91.70 | 14.60 |
| SC0810 | 100.00 | 80.00 | 14.50 | 86.00 | 9.20 | 105.47 | 32.53 |
| SC0900A | 105.00 | 90.00 | 13.00 | 92.50 | 6.30 | 108.28 | 26.18 |
| SC0900B | 109.50 | 90.00 | 15.90 | 93.00 | 9.50 | 113.81 | 34.32 |
| SC0900E | 109.00 | 90.50 | 19.50 | 93.00 | 9.50 | 114.00 | 39.00 |
| SC0900F | 108.50 | 90.00 | 14.50 | 93.00 | 9.50 | 113.50 | 32.80 |

Disclaimer

1. Please note that all manufacturer's names, numbers, symbols and descriptions are used for reference purposes only and do not imply that any part listed is the product of these manufacturers. This guide is intended as a general quick reference source only.
 2. Whilst every effort has been made to ensure that the information contained in this catalogue is accurate at the time of publication, Triumphal Group recommends that you consult Triumphal Group prior to placing an order to ascertain current information on specific products, as Triumphal Group reserves the rights to make changes without prior notice. Triumphal Group will not be liable for any injury, loss or damage whatsoever, arising from any errors or omissions in the information contained in the catalogue or arising from the use or application of the information contained herein. This catalogue does not constitute an offer for the sale of any particular product.

Duraseal®

Lifetime Floating Seal



Floating Seal Dimensions

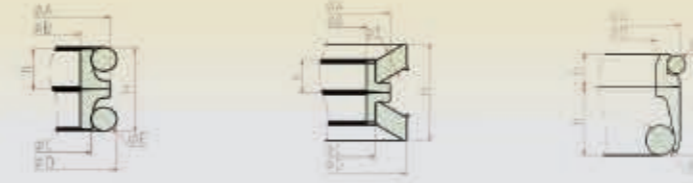
| 产品编号 Product Code | 浮动油封环尺寸 Alloy Iron Dimensions (mm) | | | 胶圈尺寸 Rubber Ring Dimensions (mm) | | 组合尺寸 Assembled Dimensions(mm) | |
|----------------------|---------------------------------------|-------------------------|-----------------|-------------------------------------|-------------------------------|----------------------------------|-------------------|
| | 外径 Outer Diameter(A) | 内径 Inner Diameter(B) | 高度 Height(H) | 内径 Inner Diameter(C) | 截面尺寸 Sectional Diameter(E) | 组合外径 Outer Diameter(D) | 组合高度 Height(H) |
| SC0905 | 109.60 | 90.50 | 16.00 | 93.00 | 9.50 | 114.50 | 34.32 |
| SC0920 | 109.00 | 92.00 | 11.00 | 96.00 | 7.00 | 114.55 | 25.21 |
| SC0935 | 107.00 | 93.50 | 11.00 | 96.00 | 7.00 | 112.53 | 23.54 |
| SC0950 | 114.00 | 95.00 | 16.00 | 99.00 | 9.50 | 119.97 | 34.26 |
| SC1000 | 119.00 | 100.00 | 16.00 | 102.00 | 9.40 | 125.20 | 34.20 |
| SC1000T | 119.00 | 100.00 | 16.00 | 102.00 | 9.40 | 125.20 | 34.20 |
| SC1010 | 120.00 | 101.00 | 15.10 | 106.50 | 9.00 | 125.20 | 32.53 |
| SC1020 | 122.00 | 102.30 | 16.50 | 106.00 | 10.50 | 127.83 | 36.60 |
| SC1020B | 118.00 | 102.00 | 13.80 | 106.50 | 8.60 | 124.29 | 29.38 |
| SC1020C | 122.00 | 102.30 | 16.50 | 106.00 | 10.00 | 126.80 | 36.13 |
| SC1039 | 117.00 | 104.00 | 10.70 | 105.00 | 7.00 | 122.31 | 22.50 |
| SC1042 | 121.00 | 104.20 | 11.70 | 110.00 | 7.00 | 126.47 | 24.80 |
| SC1050 | 123.00 | 105.30 | 14.50 | 106.00 | 10.00 | 131.45 | 32.71 |
| SC1050B | 125.00 | 105.30 | 18.00 | 106.00 | 10.00 | 133.00 | 36.00 |
| SC1090 | 132.20 | 109.00 | 16.00 | 117.00 | 9.40 | 137.31 | 33.34 |
| SC1090B | 132.00 | 109.30 | 20.00 | 116.00 | 9.50 | 136.60 | 40.00 |
| SC1090T | 132.20 | 109.00 | 16.00 | 117.00 | 9.40 | 137.31 | 33.34 |
| SC1100 | 128.00 | 110.00 | 15.80 | 112.00 | 9.60 | 133.21 | 33.58 |
| SC1100A | 128.00 | 110.00 | 16.00 | 114.00 | 9.00 | 134.40 | 33.00 |
| SC1110 | 128.00 | 111.00 | 11.00 | 116.00 | 7.00 | 132.50 | 24.60 |
| SC1100B | 126.70 | 109.00 | 16.00 | 113.00 | 10.00 | 134.67 | 35.54 |
| SC1120 | 131.30 | 112.00 | 16.00 | 116.00 | 9.50 | 136.16 | 33.52 |
| SC1150 | 137.00 | 114.00 | 15.50 | 123.00 | 9.00 | 142.63 | 32.25 |
| SC1200 | 139.00 | 120.00 | 16.00 | 123.00 | 9.50 | 143.50 | 34.80 |
| SC1200A | 141.00 | 120.00 | 20.00 | 123.00 | 9.50 | 145.00 | 40.00 |
| SC1180 | 140.00 | 118.00 | 14.90 | 123.00 | 9.00 | 145.98 | 30.80 |
| SC1240 | 141.20 | 124.00 | 11.00 | 130.00 | 7.00 | 146.07 | 24.71 |
| SC1250 | 144.00 | 125.00 | 16.00 | 128.00 | 9.50 | 148.70 | 34.80 |
| SC1270 | 145.00 | 127.00 | 15.50 | 129.00 | 9.00 | 150.94 | 33.42 |
| SC1270A | 146.50 | 127.00 | 16.00 | 128.00 | 9.50 | 151.62 | 34.34 |
| SC1270B | 141.00 | 127.00 | 12.90 | 127.50 | 6.20 | 144.19 | 25.80 |
| SC1300 | 151.00 | 130.00 | 16.00 | 137.00 | 9.20 | 157.37 | 30.05 |
| SC1300A | 152.00 | 130.00 | 19.00 | 134.00 | 11.20 | 159.09 | 41.85 |

Disclaimer

1. Please note that all manufacturer's names, numbers, symbols and descriptions are used for reference purposes only and do not imply that any part listed is the product of these manufacturers. This guide is intended as a general quick reference source only.
2. Whilst every effort has been made to ensure that the information contained in this catalogue is accurate at the time of publication, Triumphal Group recommends that you consult Triumphal Group prior to placing an order to ascertain current information on specific products, as Triumphal Group reserves the rights to make changes without prior notice. Triumphal Group will not be liable for any injury, loss or damage whatsoever, arising from any errors or omissions in the information contained in the catalogue or arising from the use or application of the information contained herein. This catalogue does not constitute an offer for the sale of any particular product.

Duraseal®

Lifetime Floating Seal



Floating Seal Dimensions

| 产品编号 Product Code | 浮动油封环尺寸 Alloy Iron Dimensions (mm) | | | 胶圈尺寸 Rubber Ring Dimensions (mm) | | 组合尺寸 Assembled Dimensions(mm) | |
|----------------------|---------------------------------------|-------------------------|-----------------|-------------------------------------|-------------------------------|----------------------------------|-------------------|
| | 外径 Outer Diameter(A) | 内径 Inner Diameter(B) | 高度 Height(H) | 内径 Inner Diameter(C) | 截面尺寸 Sectional Diameter(E) | 组合外径 Outer Diameter(D) | 组合高度 Height(H) |
| SC1370 | 153.20 | 137.00 | 15.30 | 139.00 | 9.60 | 163.82 | 32.87 |
| SC1370A | 153.00 | 137.00 | 15.00 | 141.10 | 9.60 | 162.17 | 33.26 |
| SC1420 | 156.00 | 142.00 | 12.50 | 142.50 | 6.20 | 160.45 | 25.56 |
| SC1430 | 157.50 | 143.00 | 12.70 | 142.50 | 6.20 | 161.06 | 25.40 |
| SC1430A | 157.00 | 143.00 | 12.70 | 142.50 | 6.20 | 160.05 | 26.20 |
| SC1430B | 160.00 | 143.00 | 13.50 | 145.70 | 8.30 | 164.30 | 29.50 |
| SC1460 | 172.00 | 146.00 | 19.00 | 147.30 | 12.70 | 177.23 | 42.04 |
| SC1460A | 172.00 | 146.00 | 24.00 | 147.00 | 12.70 | 177.00 | 48.00 |
| SC1480 | 170.80 | 148.50 | 15.75 | 155.00 | 9.30 | 175.80 | 34.16 |
| SC1500 | 171.50 | 150.00 | 20.00 | 155.00 | 11.00 | 179.23 | 41.50 |
| SC1500A | 171.00 | 150.00 | 16.00 | 154.00 | 9.40 | 175.85 | 34.90 |
| SC1540 | 168.20 | 154.00 | 13.00 | 154.30 | 6.30 | 171.57 | 26.00 |
| SC1540A | 170.00 | 154.00 | 10.50 | 158.00 | 7.00 | 175.30 | 23.50 |
| SC1540B | 178.00 | 154.00 | 17.00 | 160.00 | 9.50 | 181.35 | 35.83 |
| SC1540C | 173.50 | 154.00 | 16.00 | 156.00 | 9.50 | 178.31 | 33.74 |
| SC1540E | 169.00 | 154.00 | 11.00 | 158.00 | 7.00 | 174.80 | 23.99 |
| SC1550 | 177.00 | 155.00 | 14.00 | 160.00 | 8.50 | 179.90 | 29.70 |
| SC1550L | 180.00 | 155.00 | 17.00 | 162.00 | 14.50 | 194.00 | 45.90 |
| SC1550LA | 180.00 | 155.00 | 16.50 | 162.00 | 14.50 | 194.00 | 45.90 |
| SC1600 | 180.00 | 160.00 | 16.00 | 166.00 | 9.00 | 186.23 | 32.00 |
| SC1630 | 191.00 | 163.00 | 19.00 | 167.00 | 12.70 | 197.62 | 42.03 |
| SC1635 | 191.00 | 163.00 | 23.00 | 167.50 | 12.70 | 197.58 | 50.10 |
| SC1740 | 190.00 | 174.00 | 12.70 | 173.00 | 6.30 | 192.70 | 26.53 |
| SC1770 | 200.00 | 177.00 | 15.50 | 184.00 | 9.50 | 204.50 | 34.50 |
| SC1780 | 200.00 | 178.00 | 19.00 | 180.00 | 12.70 | 211.00 | 42.70 |
| SC1785 | 200.50 | 178.50 | 19.00 | 184.00 | 9.50 | 204.32 | 38.00 |
| SC1800 | 198.00 | 180.00 | 11.00 | 186.00 | 6.30 | 202.40 | 23.22 |
| SC1820 | 210.00 | 182.00 | 19.00 | 184.00 | 12.70 | 216.89 | 40.75 |
| SC1820T | 210.00 | 182.00 | 19.00 | 184.00 | 12.70 | 216.89 | 40.75 |
| SC1821 | 210.00 | 182.00 | 23.00 | 184.00 | 12.70 | 216.10 | 50.75 |
| SC1830 | 202.00 | 183.00 | 14.00 | 184.00 | 8.50 | 206.20 | 30.94 |
| SC1860 | 203.00 | 186.00 | 12.70 | 186.00 | 6.30 | 205.70 | 26.50 |
| SC1860A | 202.50 | 186.00 | 11.00 | 186.00 | 6.25 | 207.20 | 23.29 |

Disclaimer

1. Please note that all manufacturer's names, numbers, symbols and descriptions are used for reference purposes only and do not imply that any part listed is the product of these manufacturers. This guide is intended as a general quick reference source only.
2. Whilst every effort has been made to ensure that the information contained in this catalogue is accurate at the time of publication, Triumphal Group recommends that you consult Triumphal Group prior to placing an order to ascertain current information on specific products, as Triumphal Group reserves the rights to make changes without prior notice. Triumphal Group will not be liable for any injury, loss or damage whatsoever, arising from any errors or omissions in the information contained in the catalogue or arising from the use or application of the information contained herein. This catalogue does not constitute an offer for the sale of any particular product.

Duraseal®

Lifetime Floating Seal



Floating Seal Dimensions

| 产品编号 Product Code | 浮动油封环尺寸 Alloy Iron Dimensions (mm) | | | 胶圈尺寸 Rubber Ring Dimensions (mm) | | 组合尺寸 Assembled Dimensions(mm) | |
|----------------------|---------------------------------------|-------------------------|-----------------|-------------------------------------|-------------------------------|----------------------------------|-------------------|
| | 外径 Outer Diameter(A) | 内径 Inner Diameter(B) | 高度 Height(H) | 内径 Inner Diameter(C) | 截面尺寸 Sectional Diameter(E) | 组合外径 Outer Diameter(D) | 组合高度 Height(H) |
| SC1900 | 216.00 | 190.00 | 23.00 | 198.00 | 12.00 | 224.96 | 49.26 |
| SC1920 | 215.00 | 192.00 | 17.00 | 194.50 | 10.30 | 220.56 | 37.83 |
| SC1920B | 215.00 | 192.00 | 17.00 | 194.50 | 10.30 | 222.78 | 35.51 |
| SC1920C | 215.00 | 192.00 | 16.50 | 197.00 | 10.50 | 221.80 | 37.10 |
| SC2045 | 226.50 | 204.50 | 15.00 | 210.00 | 9.50 | 231.68 | 33.90 |
| SC2050 | 227.00 | 205.00 | 15.00 | 210.00 | 9.50 | 231.70 | 34.10 |
| SC2050A | 227.00 | 205.00 | 15.00 | 210.00 | 9.50 | 232.76 | 32.48 |
| SC2050B | 228.00 | 205.00 | 13.00 | 212.00 | 8.00 | 231.70 | 27.80 |
| SC2050C | 222.33 | 202.00 | 13.20 | 208.00 | 6.20 | 225.00 | 26.70 |
| SC2087 | 222.80 | 208.70 | 13.00 | 208.00 | 6.20 | 225.60 | 26.60 |
| SC2160 | 230.00 | 216.00 | 13.50 | 220.00 | 6.50 | 235.10 | 27.46 |
| SC2200 | 246.00 | 220.00 | 18.00 | 229.00 | 10.00 | 250.54 | 37.69 |
| SC2200A | 240.00 | 220.00 | 16.00 | 223.00 | 9.50 | 244.40 | 34.55 |
| SC2215 | 241.50 | 221.50 | 12.50 | 228.50 | 7.80 | 245.20 | 26.40 |
| SC2225 | 246.00 | 222.50 | 18.00 | 229.00 | 10.00 | 249.66 | 41.56 |
| SC2230A | 251.50 | 223.00 | 19.00 | 225.00 | 12.70 | 258.09 | 41.13 |
| SC2230B | 251.00 | 223.40 | 23.20 | 225.00 | 12.70 | 257.71 | 51.03 |
| SC2230C | 245.00 | 223.00 | 17.80 | — | — | — | — |
| SC2230E | 251.50 | 223.00 | 19.00 | 225.00 | 12.50 | 256.42 | 41.48 |
| SC2240 | 251.70 | 224.60 | 19.00 | 226.00 | 12.50 | 258.92 | 41.24 |
| SC2250 | 252.00 | 225.00 | 20.00 | 230.00 | 12.00 | 258.62 | 42.59 |
| SC2270 | 257.00 | 227.00 | 15.00 | 234.00 | 10.50 | 259.20 | 32.80 |
| SC2280 | 260.00 | 227.70 | 19.00 | 240.00 | 11.50 | 266.22 | 41.23 |
| SC2300 | 260.00 | 230.00 | 18.00 | 242.00 | 11.00 | 265.29 | 39.15 |
| SC2320 | 260.00 | 232.00 | 19.00 | 235.00 | 12.70 | 265.10 | 42.60 |
| SC2350 | 258.00 | 235.00 | 17.00 | 242.00 | 11.00 | 265.48 | 36.51 |
| SC2390 | 268.00 | 239.00 | 20.00 | 246.00 | 12.00 | 274.50 | 44.20 |
| SC2400 | 267.00 | 240.00 | 21.00 | 246.00 | 12.00 | 274.57 | 45.53 |
| SC2400B | 262.80 | 240.00 | 19.00 | 243.00 | 12.70 | 273.50 | 43.71 |
| SC2450 | 264.50 | 245.00 | 16.00 | 248.00 | 9.50 | 268.90 | 34.70 |
| SC2450A | 273.00 | 245.00 | 21.00 | 243.00 | 12.70 | 278.00 | 45.50 |
| SC2500 | 277.40 | 250.00 | 21.50 | 254.00 | 12.70 | 285.31 | 44.39 |
| SC2560 | 279.00 | 256.00 | 18.00 | 262.00 | 10.00 | 286.50 | 38.90 |

Disclaimer

1. Please note that all manufacturer's names, numbers, symbols and descriptions are used for reference purposes only and do not imply that any part listed is the product of these manufacturers. This guide is intended as a general quick reference source only.
2. Whilst every effort has been made to ensure that the information contained in this catalogue is accurate at the time of publication, Triumphal Group recommends that you consult Triumphal Group prior to placing an order to ascertain current information on specific products, as Triumphal Group reserves the rights to make changes without prior notice. Triumphal Group will not be liable for any injury, loss or damage whatsoever, arising from any errors or omissions in the information contained in the catalogue or arising from the use or application of the information contained herein. This catalogue does not constitute an offer for the sale of any particular product.

Duraseal®

Lifetime Floating Seal

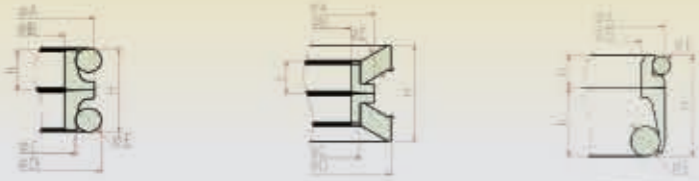


Floating Seal Dimensions

| 产品编号 Product Code | 浮动油封环尺寸 Alloy Iron Dimensions (mm) | | | 胶圈尺寸 Rubber Ring Dimensions (mm) | | 组合尺寸 Assembled Dimensions(mm) | |
|----------------------|---------------------------------------|-------------------------|-----------------|-------------------------------------|-------------------------------|----------------------------------|-------------------|
| | 外径 Outer Diameter(A) | 内径 Inner Diameter(B) | 高度 Height(H) | 内径 Inner Diameter(C) | 截面尺寸 Sectional Diameter(E) | 组合外径 Outer Diameter(D) | 组合高度 Height(H) |
| SC2600 | 288.00 | 260.00 | 20.50 | 266.00 | 12.00 | 294.35 | 43.03 |
| SC2645 | 293.00 | 265.00 | 23.00 | 265.00 | 12.70 | 299.19 | 49.80 |
| SC2650 | 293.00 | 265.00 | 19.00 | 265.00 | 12.70 | 298.91 | 40.74 |
| SC2720 | 300.00 | 273.00 | 20.00 | 276.00 | 12.70 | 305.96 | 43.93 |
| SC2730 | 300.00 | 273.00 | 19.00 | 276.00 | 12.70 | 306.93 | 41.23 |
| SC2750 | 303.00 | 275.00 | 19.00 | 276.00 | 12.70 | 308.81 | 40.61 |
| SC2750A | 303.00 | 275.00 | 19.00 | 276.00 | 12.70 | 308.20 | 42.60 |
| SC2770 | 303.00 | 277.00 | 14.50 | 293.00 | 10.50 | 307.80 | 33.00 |
| SC2780 | 309.50 | 278.00 | 20.00 | 284.00 | 12.50 | 315.76 | 43.53 |
| SC3000 | 328.00 | 298.00 | 21.00 | 298.00 | 12.20 | 333.05 | 44.74 |
| SC3000A | 328.00 | 299.00 | 20.00 | 304.50 | 12.00 | 333.89 | 40.03 |
| SC3000B | 328.00 | 298.00 | 21.00 | 301.00 | 12.50 | 332.99 | 45.99 |
| SC3000C | 328.00 | 294.00 | 20.00 | 301.00 | 12.50 | 333.49 | 43.97 |
| SC3000E | 325.00 | 300.00 | 19.00 | 306.00 | 12.70 | 336.51 | 43.21 |
| SC3000F | 325.00 | 300.00 | 19.00 | 306.00 | 12.70 | 336.51 | 43.21 |
| SC3000G | 327.00 | 294.00 | 21.00 | 306.00 | 12.70 | 334.00 | 44.70 |
| SC3180 | 346.50 | 318.00 | 19.00 | 318.00 | 12.70 | 352.62 | 41.03 |
| SC3180A | 345.00 | 318.60 | 19.00 | 318.00 | 12.70 | 352.42 | 42.25 |
| SC3180B | 341.00 | 318.60 | 19.00 | 318.00 | 12.70 | 351.80 | 42.60 |
| SC3185 | 346.40 | 318.50 | 23.00 | 313.50 | 12.70 | 353.00 | 50.45 |
| SC3185A | 346.00 | 318.50 | 19.00 | 318.00 | 12.70 | 351.80 | 42.60 |
| SC3187 | 347.00 | 318.70 | 23.00 | 317.00 | 12.00 | 353.58 | 50.72 |
| SC3400 | 368.00 | 338.00 | 20.00 | 345.00 | 12.00 | 375.16 | 43.71 |
| SC3400A | 369.00 | 340.00 | 20.00 | 345.00 | 12.00 | 374.80 | 43.64 |
| SC3400B | 370.00 | 340.00 | 20.00 | 345.00 | 12.00 | 375.68 | 42.68 |
| SC3400C | 368.0 | 340.0 | 20.0 | 345.0 | 12.0 | 375.00 | 43.69 |
| SC3500 | 375.00 | 350.00 | 19.00 | 357.00 | 12.70 | 386.14 | 42.50 |
| SC3500A | 375.00 | 350.00 | 19.00 | 357.00 | 12.70 | 385.45 | 42.48 |
| SC3510 | 375.00 | 351.00 | 19.00 | 355.00 | 12.50 | 386.44 | 42.29 |
| SC3560 | 381.50 | 356.00 | 19.00 | 355.30 | 12.70 | 389.30 | 41.97 |
| SC3660 | 394.00 | 366.00 | 19.00 | 364.00 | 12.70 | 400.77 | 39.82 |
| SC3800 | 405.00 | 380.00 | 20.00 | 378.00 | 12.00 | 411.94 | 42.08 |
| SC3870 | 415.00 | 387.00 | 19.00 | 387.00 | 12.70 | 420.72 | 42.44 |

Disclaimer

1. Please note that all manufacturer's names, numbers, symbols and descriptions are used for reference purposes only and do not imply that any part listed is the product of these manufacturers. This guide is intended as a general quick reference source only.
2. Whilst every effort has been made to ensure that the information contained in this catalogue is accurate at the time of publication, Triumphal Group recommends that you consult Triumphal Group prior to placing an order to ascertain current information on specific products, as Triumphal Group reserves the rights to make changes without prior notice. Triumphal Group will not be liable for any injury, loss or damage whatsoever, arising from any errors or omissions in the information contained in the catalogue or arising from the use or application of the information contained herein. This catalogue does not constitute an offer for the sale of any particular product.



Floating Seal Dimensions

| 产品编号 Product Code | 浮动油封环尺寸 Alloy Iron Dimensions (mm) | | | 胶圈尺寸 Rubber Ring Dimensions (mm) | | 组合尺寸 Assembled Dimensions(mm) | |
|----------------------|---------------------------------------|-------------------------|-----------------|-------------------------------------|-------------------------------|----------------------------------|-------------------|
| | 外径 Outer Diameter(A) | 内径 Inner Diameter(B) | 高度 Height(H) | 内径 Inner Diameter(C) | 截面尺寸 Sectional Diameter(E) | 组合外径 Outer Diameter(D) | 组合高度 Height(H) |
| SC4290 | 457.20 | 429.20 | 19.00 | 420.00 | 12.70 | 464.93 | 40.83 |
| SC4290A | 457.20 | 429.20 | 19.00 | 420.00 | 12.70 | 464.00 | 42.58 |
| SC4290B | 458.00 | 429.00 | 19.00 | 420.00 | 12.70 | 463.80 | 42.80 |
| SC4485 | 483.00 | 448.50 | 20.50 | 458.00 | 12.00 | 485.25 | 44.16 |
| SC4500 | 480.00 | 450.00 | 25.00 | 454.00 | 16.00 | 492.50 | 55.06 |
| SC5050 | 533.40 | 505.00 | 21.80 | 493.00 | 12.70 | 539.37 | 47.54 |
| SC5060 | 534.00 | 506.00 | 22.00 | 497.50 | 12.70 | 539.94 | 48.83 |
| SC5080 | 548.00 | 508.00 | 30.00 | 510.50 | 18.00 | 554.41 | 63.88 |
| SC6670 | 700.00 | 667.00 | 22.50 | 660.00 | 12.70 | 706.12 | 49.23 |
| SC0530L | 67.00 | 53.00 | 8.50 | 59.50 | 8.00 | 76.50 | 19.00 |
| SC0800L | 76.00 | 60.00 | 10.00 | 66.00 | 9.80 | 86.20 | 25.00 |
| SC0880L | 86.00 | 68.00 | 10.00 | 74.00 | 10.00 | 95.00 | 30.60 |
| SC0735L | 93.00 | 73.50 | 10.00 | 80.00 | 10.00 | 102.20 | 30.00 |
| SC0875L | 111.50 | 87.50 | 9.50 | 94.50 | 11.00 | 117.84 | 29.29 |
| SC0940L | 112.00 | 94.00 | 12.00 | 99.00 | 14.70 | 124.80 | 36.40 |
| SC0990L | 123.00 | 99.00 | 10.00 | 95.00 | 11.00 | 126.70 | 31.00 |
| SC1140L | 138.00 | 114.00 | 13.00 | 123.00 | 11.00 | 147.00 | 37.60 |
| SC1330L | 156.00 | 133.00 | 14.00 | 140.00 | 14.00 | 170.00 | 39.80 |
| SC1550L | 179.80 | 155.00 | 17.20 | 162.00 | 16.00 | 193.00 | 44.00 |
| SC1550LA | 180.00 | 155.00 | 16.50 | 162.00 | 17.00 | 194.00 | 45.90 |
| SC1770L | 197.00 | 177.00 | 11.00 | 179.00 | 11.00 | 204.80 | 26.50 |
| SC2280L | 260.50 | 228.00 | 20.50 | 235.29 | 19.86 | 283.14 | 54.80 |
| SC2420L | 273.00 | 241.00 | 18.00 | 250.00 | 12.50 | 278.00 | 45.00 |
| SC2460L | 270.00 | 246.00 | 20.00 | 254.00 | 22.00 | 301.00 | 56.00 |
| SC0545X | 70.00 | 53.70 | 20.50 | 47.00 | 9.50 | 74.01 | 31.80 |
| SC0545Y | 70.00 | 53.70 | 10.00 | 61.40 | 5.80 | | |
| SC0665X | 82.20 | 66.50 | 20.70 | 60.00 | 9.50 | 85.60 | 32.43 |
| SC0665Y | 82.20 | 66.50 | 10.50 | 73.40 | 5.80 | | |
| SC0760X | 93.00 | 76.00 | 22.00 | 69.40 | 9.50 | 96.00 | 33.12 |
| SC0760Y | 93.00 | 76.00 | 10.50 | 83.00 | 5.80 | | |
| SC0820X | 98.50 | 82.00 | 22.00 | 75.00 | 9.50 | 101.90 | 32.35 |
| SC0820Y | 98.50 | 82.00 | 10.50 | 89.80 | 5.80 | | |
| SC1725X | 200.00 | 171.00 | 9.00 | — | — | — | — |

Disclaimer

1. Please note that all manufacturer's names, numbers, symbols and descriptions are used for reference purposes only and do not imply that any part listed is the product of these manufacturers. This guide is intended as a general quick reference source only.
2. Whilst every effort has been made to ensure that the information contained in this catalogue is accurate at the time of publication, Triumphal Group recommends that you consult Triumphal Group prior to placing an order to ascertain current information on specific products, as Triumphal Group reserves the rights to make changes without prior notice, Triumphal Group will not be liable for any injury, loss or damage whatsoever, arising from any errors or omissions in the information contained in the catalogue or arising from the use or application of the information contained herein. This catalogue does not constitute an offer for the sale of any particular product.



Floating Seal Dimensions

| 产品编号 Product Code | 浮动油封环尺寸 Alloy Iron Dimensions (mm) | | | 胶圈尺寸 Rubber Ring Dimensions (mm) | | 组合尺寸 Assembled Dimensions(mm) | |
|----------------------|---------------------------------------|-------------------------|-----------------|-------------------------------------|-------------------------------|----------------------------------|-------------------|
| | 外径 Outer Diameter(A) | 内径 Inner Diameter(B) | 高度 Height(H) | 内径 Inner Diameter(C) | 截面尺寸 Sectional Diameter(E) | 组合外径 Outer Diameter(D) | 组合高度 Height(H) |
| SC1725Y | 190.00 | 172.50 | 12.70 | 173.00 | 6.25 | 193.34 | — |
| SC1800X | 212.00 | 170.00 | 11.00 | — | — | — | — |
| SC1800Y | 198.00 | 180.00 | 11.00 | 186.00 | 6.30 | 202.90 | — |
| SC1920X | 230.00 | 201.00 | 13.30 | 227.50 | 5.30 | — | — |
| | | | | 215.00 | 7.10 | — | — |
| SC1920Y | 215.00 | 192.50 | 17.00 | 194.50 | 10.30 | 221.20 | — |
| SC1920XA | 230.00 | 201.00 | 12.20 | 227.50 | 5.30 | — | — |
| SC2090X | 260.00 | 216.00 | 13.30 | 259.30 | 5.70 | — | — |
| SC2090 | 234.00 | 209.00 | 21.00 | 215.00 | 13.00 | 243.25 | 45.49 |
| SC2500X | 285.00 | 250.00 | 12.00 | 273.10 | 5.70 | 291.20 | 36.15 |
| SC2500Y | 276.00 | 250.00 | 21.00 | 256.00 | 13.20 | | |
| SC2500XA | 284.00 | 247.00 | 13.00 | 268.50 | 5.60 | 291.18 | 35.03 |
| SC2500YA | 277.50 | 250.00 | 22.00 | 255.00 | 12.70 | | |
| SC2500XB | 290.00 | 248.00 | 14.00 | 265.45 | 5.70 | 300.17 | 35.43 |
| SC2500YB | 277.00 | 250.50 | 21.40 | 254.00 | 13.00 | | |
| SC2505X | 290.00 | 248.00 | 13.20 | 274.80 | 5.70 | 301.14 | 36.05 |
| SC2505Y | 272.40 | 250.50 | 21.40 | 225.00 | 13.00 | | |
| SC2530X | 285.00 | 253.00 | 10.00 | 281.00 | 5.70 | — | — |
| SC2530Y | 277.00 | 250.00 | 22.00 | 255.00 | 12.70 | — | — |

Disclaimer

1. Please note that all manufacturer's names, numbers, symbols and descriptions are used for reference purposes only and do not imply that any part listed is the product of these manufacturers. This guide is intended as a general quick reference source only.
2. Whilst every effort has been made to ensure that the information contained in this catalogue is accurate at the time of publication, Triumphal Group recommends that you consult Triumphal Group prior to placing an order to ascertain current information on specific products, as Triumphal Group reserves the rights to make changes without prior notice, Triumphal Group will not be liable for any injury, loss or damage whatsoever, arising from any errors or omissions in the information contained in the catalogue or arising from the use or application of the information contained herein. This catalogue does not constitute an offer for the sale of any particular product.